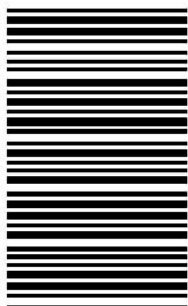


کد کنترل

458

E



458E

## آزمون ورودی دوره‌های کارشناسی ارشد ناپیوسته داخل - سال ۱۴۰۱

صبح چهارشنبه

۱۴۰۱/۰۲/۲۸



جمهوری اسلامی ایران  
وزارت علوم، تحقیقات و فناوری  
سازمان سنجش آموزش کشور

«اگر دانشگاه اصلاح شود مملکت اصلاح می‌شود.»  
امام خمینی (ره)

### نانو فناوری - نانو مواد (کد ۱۲۷۳)

زمان پاسخ‌گویی: ۲۱۰ دقیقه

تعداد سؤال: ۱۶۵

جدول مواد امتحانی، تعداد و شماره سؤال‌ها

ردیف	مواد امتحانی	تعداد سؤال	از شماره	تا شماره
۱	زبان عمومی و تخصصی (انگلیسی)	۳۰	۱	۳۰
۲	ریاضیات مهندسی	۱۵	۳۱	۴۵
۳	شیمی کاربردی	۲۰	۴۶	۶۵
۴	فیزیک جدید	۲۰	۶۶	۸۵
۵	شیمی فیزیک و ترمودینامیک	۲۰	۸۶	۱۰۵
۶	خواص فیزیکی و مکانیکی مواد	۲۰	۱۰۶	۱۲۵
۷	پدیده‌های انتقال (انتقال جرم، مکانیک سیالات، انتقال حرارت)	۲۰	۱۲۶	۱۴۵
۸	الکترونیک (۲و۱) و الکترومغناطیس مهندسی	۲۰	۱۴۶	۱۶۵

این آزمون نمره منفی دارد.

استفاده از ماشین حساب مجاز نیست.

حق چاپ، تکثیر و انتشار سؤال‌ها به هر روش (الکترونیکی و...) پس از برگزاری آزمون، برای همه اشخاص حقیقی و حقوقی تنها با مجوز این سازمان مجاز می‌باشد و با متخلفان برابر مقررات رفتار می‌شود.

\* متقاضی گرامی، وارد نکردن مشخصات و امضا در کادر زیر، به منزله غیبت و حضور نداشتن در جلسه آزمون است.

اینجانب ..... با شماره داوطلبی ..... با آگاهی کامل، یکسان بودن شماره سندلی خود را با شماره داوطلبی مندرج در بالای کارت ورود به جلسه، بالای پاسخنامه و دفترچه سؤالها، نوع و کد کنترل درج شده بر روی دفترچه سؤالها و پایین پاسخنامهام را تأیید می‌نمایم.

امضا:

زبان عمومی و تخصصی (انگلیسی):

### PART A: Vocabulary

**Directions:** Choose the word or phrase (1), (2), (3), or (4) that best completes each sentence. Then mark the answer on your answer sheet.

- 1- Growing older and more decrepit appeared to be an ----- and necessary part of being human.  
1) inevitable                      2) intangible                      3) unforeseeable                      4) unsentimental
- 2- I don't really think I'd have the ----- to finish a marathon!  
1) concern                      2) candor                      3) endurance                      4) autonomy
- 3- Her marriage started to improve once her husband finally ----- he had an anger problem and began to take counseling.  
1) identified                      2) emerged                      3) hesitated                      4) acknowledged
- 4- Society is an interdependent system that ----- widespread cooperation to function.  
1) proceeds                      2) requires                      3) fascinates                      4) conveys
- 5- Our blue planet is a ----- . Life depends on water, yet in its natural form, the water in the oceans will not sustain us because we cannot drink salt water.  
1) refuge                      2) remedy                      3) paradox                      4) vacillation
- 6- I thought I was buying a/an ----- native Indian carving, but discovered later that it was machine-made.  
1) genuine                      2) definitive                      3) secretive                      4) artificial
- 7- The entrepreneur had a well-deserved reputation for -----, having accurately anticipated many changes unforeseen by established business leaders.  
1) modesty                      2) hindsight                      3) prescience                      4) extroversion
- 8- Studies of longevity among turtles are sometimes ----- by the fact that the subjects live so long that researchers retire before the studies can be completed.  
1) stabilized                      2) hampered                      3) diversified                      4) verified
- 9- Kevlar is a ----- new material which is used for everything from airplane wings, to bullet-proof vests, to hockey sticks.  
1) prescriptive                      2) versatile                      3) dormant                      4) derivative
- 10- If exploitation of the planet's resources continues as at present, then the lifestyle we currently enjoy ----- the risk of causing significant damage to the world.  
1) proposes                      2) puts                      3) shapes                      4) runs

**PART B: Cloze Test**

**Directions:** Read the following passage and decide which choice (1), (2), (3), or (4) best fits each space. Then mark the correct choice on your answer sheet.

Scientists and philosophers have been grappling with the relationship between language and thought for centuries. There have always been (11) ----- that our picture of the Universe depends on our native tongue. Since the 1960s, however, (12) ----- the ascent of thinkers like Noam Chomsky, and a host of cognitive scientists, (13) ----- that linguistic differences don't really matter, (14) ----- language is a universal human trait, and that our ability to talk to one another owes more to our shared genetics (15) ----- . But now the pendulum is beginning to swing the other way as psychologists re-examine the question.

- |     |                                |                                 |         |         |
|-----|--------------------------------|---------------------------------|---------|---------|
| 11- | 1) that they argue             | 2) those who argue              |         |         |
|     | 3) an argument by those        | 4) arguing those who            |         |         |
| 12- | 1) with                        | 2) for                          | 3) by   | 4) in   |
| 13- | 1) whose consensus             | 2) who has the consensus        |         |         |
|     | 3) the consensus has been      | 4) is the consensus             |         |         |
| 14- | 1) a                           | 2) the                          | 3) what | 4) that |
| 15- | 1) and our cultures vary       | 2) than to our varying cultures |         |         |
|     | 3) than our cultures that vary | 4) as to our varying cultures   |         |         |

**PART C: Reading Comprehension**

**Directions:** Read the following three passages and answer the questions by choosing the best choice (1), (2), (3), or (4). Then mark the correct choice on your answer sheet.

PASSAGE 1:

Up to date, many nanofillers such as metal particles, carbon materials, and ceramics embedded in the polymeric matrix have been demonstrated to be able to effectively dissipate heat due to their inherent high thermal conductivity. However, metal- and carbon-based materials have superior electrical properties, too. This is due to potential short circuits, which allow unintended electrical paths caused by the lack or very low impedance of carbon or other electrically conductive material. This limits the use of metal and carbon composites for applications in highly integrated electrical devices that need to avoid signal propagation or attenuation. Distinguished from others, polymer-based composites with nanoscale ceramic fillers have drawn attention because of their low dielectric permittivity, high electrical resistivity, high thermal conductivity, chemical inertia, and low thermal expansion. Several different materials are made of nanoscale ceramics, such as aluminum nitride (AlN), alumina (Al<sub>2</sub>O<sub>3</sub>), silicon carbide (SiC), silicon nitride (Si<sub>3</sub>N<sub>4</sub>), and boron nitride (BN), which have been widely used as inorganic fillers in a polymer matrix to form a composite with polymers. They are attractive ceramic fillers due to their superior thermal conductivity,

low dielectric constant, and high electrical resistivity. Although several examples with AlN have been presented, AlN has a chemical reaction with moisture in the air that generates  $\text{Al}(\text{OH})_3$  and  $\text{NH}_3$ . These undesired byproducts can damage electrodes and devices. Therefore, the industry is reluctant to use composites with AlN nanoceramics.  $\text{Al}_2\text{O}_3$  or has good chemical stability and relatively high cost-effectiveness, but the  $\text{Al}_2\text{O}_3$  or, ceramic has much lower thermal conductivity than other ceramics, such as AlN or BN. SiC is an attractive A: alternative candidate for high-temperature applications because of its high thermal conductivity and stability. However, it has limitations for some applications in highly integrated devices because it has too high a dielectric constant compared to other ceramics.  $\text{Si}_3\text{N}_4$  has a thermal conductivity lower than AlN or BN. However, it has a higher chemical stability, higher erosion resistance, and higher cost-effectiveness than both AlN and BN. This has been confirmed by many industrial applications.

- 16- Nanofillers are used in composites to dissipate heat because:**
- 1) Metals form short circuits.
  - 2) Metals show low impedance.
  - 3) Carbon lacks enough impedance.
  - 4) They possess high internal thermal conductivity.
- 17- Why do metal and carbon composites have very limited application in integrated electrical devices?**
- 1) Because they form unintended electrical paths.
  - 2) Because these composites avoid signal attenuation.
  - 3) Because these devices need signal propagation which is not offered by metal composites.
  - 4) Because in addition to metals and carbon, there are other conductive materials employed in fabrication of such devices.
- 18- Which of the following does NOT show the properties of polymers filled with nanoscale ceramics?**
- |                                 |                               |
|---------------------------------|-------------------------------|
| 1) Negligible thermal expansion | 2) Chemical reactivity        |
| 3) Low electrical conductivity  | 4) Large thermal conductivity |
- 19- What is the main drawback of using  $\text{Al}_2\text{O}_3$  nanoparticles in composites?**
- 1) Lack of cost-effectiveness
  - 2) Improper chemical stability
  - 3) Resistance to high temperatures
  - 4) Low thermal conductivity as compared to the rivals
- 20- What is the major issue in using AlN in composites?**
- |                                     |  |
|-------------------------------------|--|
| 1) Their reaction with airy         | 2) Their high electrical resistivity                           |
| 3) Formation of unwanted byproducts | 4) Reaction between $\text{Al}(\text{OH}_3)$ and $\text{NH}_3$ |

**PASSAGE 2:**

In the drive to create better batteries for a society that is more and more dependent on electronics, an organic sodium-based device has been on researchers' radars for a while. Using sodium could be beneficial as it is said to be more conveniently and abundantly available, as well as affordable, compared with mining lithium.

Now, scientists believe they have successfully created one of the first prototypes of a sodium-ion quick charging battery that can be charged and discharged hundreds of times without losing any capacity.

They claim to have overcome one of the main hurdles with replacing lithium with sodium – the size of the sodium ions, which are larger and therefore require a different anode material than graphite.

The sodium-ion battery uses macrocyclic molecule paracyclophanetraene as the electrode material. The macrocyclic molecule is synthesized in one step using readily available starting materials, terephthalaldehyde and triphenylphosphonium bromide.

However, it has mainly been chosen because of its shape, which compares to a pineapple ring or a disc, where the hole in the middle is the essential part.

No matter how densely the macrocycles are stacked in the electrode, there will always be space in the center of these cyclic molecules that can be occupied by sodium ions when charging the battery. This helps to overcome the problem that sodium ions are larger than lithium ions.

The current capacity of the macrocycles is approximately 150 mAhg<sup>-1</sup> at a current density of 100 mA g<sup>-1</sup> in testing set-up. This capacity needs to be further improved before it can be developed into a battery with performance parameters comparable to fully developed batteries. The strength of the current material is in the performance over several cycles and under fast charge and discharge conditions.

It is significantly more challenging to find suitable electrode materials for sodium-ion batteries than for lithium-ion batteries. Researchers can enhance capacity by improving the macrocycle's structure. Currently, each macrocycle can store two electrons, but we might be able to increase this to six or even eight electrons per macrocycle. However, while the capacity is certainly an important parameter, the cycling stability can be the more important parameter for some applications.

- 21- Which features encourage researchers to consider sodium as a replacement for lithium in batteries?**
- 1) The organic sodium-based device has been on researchers' radars for a while.
  - 2) Sodium is cheaper and more abundant than lithium.
  - 3) Sodium can be used in radars.
  - 4) Sodium is beneficial.
- 22- Why is graphite not a suitable anode material in sodium ion batteries?**
- 1) Sodium ion batteries can be charged and discharged many times.
  - 2) It is a hurdle to replace lithium with sodium.
  - 3) Sodium ions require a different material.
  - 4) Sodium ions are too large.
- 23- Which feature of paracyclophanetraene has made it a suitable electrode material?**
- |                              |                             |
|------------------------------|-----------------------------|
| 1) Disc-like characteristics | 2) Pineapple shape          |
| 3) Void at its center        | 4) Simple processing method |
- 24- What is an outstanding feature of sodium ion batteries?**
- 1) Current density of 100 mA/g
  - 2) Current capacity of 150 mAh/g
  - 3) Performance parameters comparable to fully developed batteries
  - 4) Ability to perform constantly for several cycles under high charge / discharge rates

- 25- Which feature of sodium ion batteries would be improved by changing the structure of macrocycle molecules?  
 1) Electrons                      2) Capacity                      3) Stability                      4) Shape

**PASSAGE 3:**

Since the discovery of oxide nanobelts of semiconducting oxides in 2001, research into functional oxide based, one-dimensional nanostructures has rapidly expanded because of their unique and novel applications in optics, optoelectronics, catalysis, and piezoelectricity. Semiconducting oxide nanobelts are a unique group of quasi-one-dimensional nanomaterials, which have been systematically studied for a wide range of materials with distinct chemical compositions and crystallographic structures.

Belt-like, quasi-one-dimensional nanostructures (called nanobelts) have been synthesized for semiconducting oxides of Zn, Sn, In, Cd, and Ga, by simply evaporating the desired commercial metal oxide powders at high temperatures. The as-synthesized oxide nanobelts are pure, structurally uniform, single-crystalline, and mostly free from dislocations; they have a rectangular-like cross-section with constant dimensions. The belt-like morphology appears to be a unique and common structural characteristic of this family of semiconducting oxides with cations of different valence states and materials of distinct crystallographic structures. Field-effect transistors, ultrasensitive nano-sized gas sensors, nanoresonators, and nanocantilevers have been fabricated based on individual nanobelts. Thermal transport along the nanobelt has also been measured. Very recently, nanobelts, nanosprings, and nanorings that exhibit piezoelectric properties have been synthesized, which could be candidates for nanoscale transducers, actuators, and sensors.

Among the functional oxides with perovskite, rutile,  $\text{CaF}_2$ , spinel, and wurtzite structures, ZnO is unique because it exhibits dual semiconducting and piezoelectric properties. ZnO is a material that has diverse structures, whose configurations are much richer than any known nanomaterials including carbon nanotubes. Using a solid-state thermal sublimation process and controlling the growth kinetics, local growth temperature, and the chemical composition of the source materials, a wide range of nanostructures of ZnO have been synthesized.

- 26- What is the main reason for rapid expansion of research on 1D nanostructures?  
 1) Unique and new applications of these materials in different fields  
 2) Their quasi-one-dimensional structure  
 3) Their distinct chemical structures  
 4) Their semiconducting behaviors
- 27- Which process yields to formation of pure nanobelts?  
 1) High temperature evaporation of metal oxides  
 2) Solid-state thermal sublimation  
 3) Chemical decomposition  
 4) Thermal transport
- 28- The main applications of piezoelectric nanobelts are -----.  
 1) Facilitating thermal transport along the nanobelts  
 2) Nanoresonators and nanocantilevers  
 3) Sensors, actuators, and transducers  
 4) Nanosprings and nanorings

29- What makes ZnO a unique material?

- 1) Its defect-free nature
- 2) Its distinct crystallographic structure
- 3) Exhibiting rectangular-like cross section
- 4) Possessing both semiconducting as well as piezoelectric properties

30- Which of the following statements is true according to the passage?

- 1) ZnO is not considered as a functional material since it shows dual properties.
- 2) Various nanostructures of ZnO are synthesized through controlling several parameters during thermal sublimation.
- 3) Carbon nanotubes are cheaper than ZnO nanostructures.
- 4) ZnO is the only material which shows piezoelectricity.

ریاضیات مهندسی:

۳۱- کدام تابع تام نیست؟

$$f(z) = \frac{1}{\cosh z - \sinh z} \quad (۱)$$

$$f(z) = \frac{1}{\cosh^2 z + \sinh^2 z} \quad (۲)$$

$$f(z) = \frac{1}{\cos z + i \sin z} \quad (۳)$$

$$f(z) = \frac{1}{\cos z - i \sin z} \quad (۴)$$

۳۲- اگر  $a_0 = i$  و برای هر  $n \in \mathbb{N}$ ،  $b_n = \frac{i^{2n}}{(2n)!}$  و  $a_n = i^{2n} a_{n-1}$ ، آن گاه مقدار  $\lim_{n \rightarrow \infty} a_n$  کدام است؟

(شاخه اصلی لگاریتم را در نظر بگیرید)

$$-i \quad (۱)$$

$$\cos(\cos 1) + i \sin(\cos 1) \quad (۲)$$

$$\cos\left(\frac{\pi}{2} \cos 1\right) + i \sin\left(\frac{\pi}{2} \cos 1\right) \quad (۳)$$

$$i \quad (۴)$$

۳۳- به ازای تابع تحلیلی  $f(x + iy) = u(x, y) + iv(x, y)$  به طوری که به ازای  $x \neq 0$  داریم:  $u(x, y) = \text{Arctg} \frac{y}{x}$  و

$f(1) = i$ ، مقدار  $\lim_{z \rightarrow i} f(z)$  کدام است؟

$$\frac{\pi}{2} \quad (۱)$$

$$\pi \quad (۲)$$

$$\frac{\pi}{2} + i \quad (۳)$$

$$\frac{\pi}{2} - i \quad (۴)$$

۳۴- اگر  $f(z) = \sin z + \cos z$  و  $D = \{x + iy \in \mathbb{C} \mid x, y \in [0, \pi]\}$ ، آن گاه  $\max_{z \in D} |f(z)|$  کدام است؟

(۱)  $2 \sinh \pi$

(۲)  $\sqrt{2} \cosh \pi$

(۳)  $\sqrt{\sinh^2 \pi + \cosh^2 \pi}$

(۴)  $\sinh \pi + \cosh \pi$

۳۵- اگر  $D = \{z \in \mathbb{C} : 1 \leq |z| \leq 2\}$  و  $f(z) = \frac{z-2}{2z-1}$ ، آن گاه تصویر ناحیه  $D$  تحت نگاشت  $f$  کدام است؟

(۱)  $\left\{z \in \mathbb{C} : |z| \leq 1, \frac{2}{5} \leq \left|z + \frac{2}{5}\right|\right\}$

(۲)  $\left\{z \in \mathbb{C} : |z| \geq 1, \left|z + \frac{5}{2}\right| \leq \frac{5}{2}\right\}$

(۳)  $\left\{z \in \mathbb{C} : |z| \geq 1, \left|z - \frac{5}{2}\right| \leq \frac{5}{2}\right\}$

(۴)  $\left\{z \in \mathbb{C} : |z| \leq 1, \frac{2}{5} \leq \left|z - \frac{2}{5}\right|\right\}$

۳۶- در مورد نقطه  $Z_0 = \infty$  و تابع  $f(z) = \frac{\sin z}{z^2}$  کدام گزینه درست است؟

(۱)  $Z_0$  نقطه تکین اساسی تابع  $f$  است.

(۲)  $f$  در نقطه  $Z_0$  یک قطب ساده دارد.

(۳)  $Z_0$  نقطه تکین برداشتنی تابع  $f$  است.

(۴)  $f$  در نقطه  $Z_0$  یک قطب از مرتبه دو دارد.

۳۷- حاصل  $\oint_{|z-2|=1} \left( (2z-5) \cos\left(\frac{z}{2z-5}\right) + \frac{2}{z(z-2)^4} \right) dz$ ، کدام است؟

(۱)  $\frac{17\pi i}{4}$

(۲)  $\frac{-17\pi i}{4}$

(۳)  $\frac{-19\pi i}{4}$

(۴)  $-5\pi i$



۳۸- مقدار  $\int_0^{2\pi} \frac{d\theta}{1 - 2p \cos \theta + p^2}$  ( $-1 < p < 1$ ) کدام است؟

(۱)  $\frac{2\pi}{1+p^2}$

(۲)  $\frac{2\pi}{1-p^2}$

(۳)  $\frac{\pi}{1+p^2}$

(۴)  $\frac{\pi}{1-p^2}$

۳۹- مقدار انتگرال  $\int_{-\infty}^{\infty} \frac{x \cos x}{x^2 + 2x + 2} dx$  کدام است؟

(۱)  $\pi e(\sin(1) - \cos(1))$

(۲)  $\frac{\pi}{e}(\sin(1) + \cos(1))$

(۳)  $\pi e(\sin(1) + \cos(1))$

(۴)  $\frac{\pi}{e}(\sin(1) - \cos(1))$

۴۰- فرض کنید  $g(t)$  به ازای  $t \geq 0$  دارای تبدیل لاپلاس  $G(s)$  باشد. اگر  $u(x,s)$  تبدیل لاپلاس جواب کراندار مسئله زیر باشد، آنگاه  $U(x,s)$  کدام است؟

$$\begin{cases} \frac{\partial u}{\partial t} - \frac{\partial^2 u}{\partial x^2} = g(t) & x > 0, t > 0 \\ u(x, 0) = 0, u(0, t) = 0 \end{cases}$$

(۱)  $U(x, s) = \frac{1}{s}G(s) + A(s)e^{-x\sqrt{s}}$  که در آن  $A(s)$  تابع دلخواه است.

(۲)  $U(x, s) = G(s) + A(s)e^{-x\sqrt{s}}$  که در آن  $A(s)$  تابع دلخواه است.

(۳)  $U(x, s) = G(s) + (1 - e^{-x\sqrt{s}})$

(۴)  $U(x, s) = \frac{1}{s}G(s) + (1 - e^{-x\sqrt{s}})$

۴۱- جواب معادله لاپلاس زیر در مختصات قطبی کدام است؟

$$\begin{cases} u_{rr} + \frac{1}{r}u_r + \frac{1}{r^2}u_{\theta\theta} = 0, r > 1, 0 \leq \theta < 2\pi \\ u(1, \theta) = \cos \theta(1 - \sin \theta), 0 \leq \theta < 2\pi \\ \text{کراندار } u(r, \theta) \end{cases}$$

(۲)  $u(r, \theta) = \cos \theta(r - r^{-2} \sin \theta)$

(۱)  $u(r, \theta) = \cos \theta(r^{-1} - r^{-2} \sin \theta)$

(۴)  $u(r, \theta) = \cos \theta(1 - r^2 \sin \theta)$

(۳)  $u(r, \theta) = \cos \theta(1 - r^{-2} \sin \theta)$

۴۲- در مسئله موج نیمه‌متناهی زیر  $u(x, t)$  کدام است؟

$$\begin{cases} u_{tt} = \gamma u_{xx} & 0 < x < \infty, 0 < t \\ u_x(0, t) = 0 \\ \text{وقتی } x \text{ به بی‌نهایت میل کند } u(x, t) \text{ متناهی است.} \\ u(x, 0) = e^{-x} \\ u_t(x, 0) = e^{-\gamma x} \end{cases}$$

$$u(x, t) = \frac{\gamma}{\pi} \int_0^{\infty} \left( \frac{\sin(\gamma w t)}{1 + w^{\gamma}} + \frac{\cos(\gamma w t)}{w(\gamma + w^{\gamma})} \right) \cos(wx) dw \quad (۱)$$

$$u(x, t) = \frac{\gamma}{\pi} \int_0^{\infty} \left( \frac{\cos(\gamma w t)}{1 + w^{\gamma}} + \frac{\sin(\gamma w t)}{w(\gamma + w^{\gamma})} \right) \cos(wx) dw \quad (۲)$$

$$u(x, t) = \frac{\gamma}{\pi} \int_0^{\infty} \left( \frac{\cos(\gamma w t)}{1 + w^{\gamma}} + \frac{\sin(\gamma w t)}{w(\gamma + w^{\gamma})} \right) \sin(wx) dw \quad (۳)$$

$$u(x, t) = \frac{\gamma}{\pi} \int_0^{\infty} \left( \frac{\sin(\gamma w t)}{1 + w^{\gamma}} + \frac{\cos(\gamma w t)}{w(\gamma + w^{\gamma})} \right) \sin(wx) dw \quad (۴)$$

۴۳- توابع ویژه مسئله اشتورم - لیوویل  $\begin{cases} x^{\gamma} y'' - xy' + \lambda y = 0, 1 < x < e \\ y(1) = y(e) = 0 \end{cases}$  کدام‌اند؟

$$\frac{\sin(n\pi(\ell n x))}{\sqrt{x}}, n \in \mathbb{N} \quad (۱)$$

$$x \sin(n\pi x), n \in \mathbb{N} \quad (۲)$$

$$\sqrt{x} \sin(n\pi(\ell n x)), n \in \mathbb{N} \quad (۳)$$

$$x \sin(n\pi(\ell n x)), n \in \mathbb{N} \quad (۴)$$

۴۴- در نظر بگیرید  $f(x) = e^{ax}, x \in (-\pi, \pi]$  و  $f$  تابعی متناوب با دوره تناوب  $2\pi$  باشد. سری فوریه  $f$  به صورت

$$f(x) \sim \frac{\gamma \sinh(a\pi)}{\pi} \left( \frac{1}{\gamma a} + \sum_{n=1}^{\infty} (-1)^n \frac{a \cos(nx) - n \sin(nx)}{a^{\gamma} + n^{\gamma}} \right)$$

کدام است؟

$$\frac{1}{\gamma} \left( \coth \pi^{\gamma} - \frac{1}{\pi^{\gamma}} \right) \quad (۱)$$

$$\frac{1}{\gamma} \left( \coth \pi^{\gamma} + \frac{1}{\pi^{\gamma}} \right) \quad (۲)$$

$$\frac{1}{\gamma} \left( \tanh \pi^{\gamma} - \frac{1}{\pi^{\gamma}} \right) \quad (۳)$$

$$\frac{1}{\gamma} \left( \tanh \pi^{\gamma} + \frac{1}{\pi^{\gamma}} \right) \quad (۴)$$

۴۵- تبدیل فوریه کسینوسی تابع  $f(x) = \begin{cases} \sin x & 0 < x < \pi \\ 0 & x \geq \pi \end{cases}$  را در نظر بگیرید. حاصل  $\int_0^{\infty} \frac{\cos^3 x}{\pi^2 - 4x^2} dx$  کدام است؟

$$\frac{\pi^2}{4} \quad (۱)$$

$$\frac{1}{8} \quad (۲)$$

$$\frac{\pi^2}{8} \quad (۳)$$

$$\frac{1}{4} \quad (۴)$$

شیمی کاربردی:

۴۶- در یک نمونه آب با  $TDS = 400 \text{ ppm}$ ,  $pH = 10$  و سختی کل  $100 \text{ ppm}$ ، مقدار  $80 \text{ ppm}$  نانو ذرات کربنات کلسیم اضافه کردیم. کدام یک از شاخص‌های این نمونه آب، بیشترین درصد تغییر را خواهد داشت؟

(۱) EC

(۲) pH

(۳) TDS

(۴) سختی کلی

۴۷- در یک واحد صنعتی به جای روش آهک‌زنی، از فرایند دیگری برای کاهش سختی آب مصرفی استفاده می‌شود. در این خصوص، کدام فرایند مناسب است؟

(۱) رزین مختلط (با بستر حاوی رزین کاتیونی و آنیونی)

(۲) رزین آنیونی ضعیف

(۳) نانو فیلتراسیون

(۴) رزین آنیونی قوی

۴۸- هدایت الکتریکی آب تصفیه شده در کدام فرایند، بیشترین است؟

(۱) اسمز معکوس

(۲) نانو فیلتراسیون

(۳) رزین کاتیونی اسیدی

(۴) رزین کاتیونی سدیمی

۴۹- در کدام مورد، نسبت COD به BOD، کمتر از یک است؟

(۱) پساب پتروشیمی

(۲) پساب صنایع غذایی

(۳) فاضلاب انسانی

(۴) بسیار نادر است.

۵۰- قلیابیت ساده (P) و قلیابیت کل (M) در یک نمونه آبی برابر  $150 \text{ ppm}$  است. pH این آب حدوداً چقدر است؟

(۱) ۱۱

(۲) ۹٫۵

(۳) ۸٫۳

(۴) ۴٫۲

۵۱- به آب ورودی به واحد اسمز معکوس معمولاً فسفات تزریق می‌کنند. کدام نمک فسفات مناسب تر است؟

(۱) فسفات تری سدیک

(۲) فسفات دی سدیک

(۳) فسفات منوسدیک

(۴) هگزامتافسفات سدیم

۵۲- در نمونه آبی، غلظت یون آلومینیوم آن  $20 \text{ ppm}$  و غلظت کاتیون‌های آن  $200 \text{ ppm}$  است. برای کاهش کاتیون‌های این نمونه آب با رزین‌های تعویض یونی، کدام رزین مناسب است؟

(۱) کاتیونی هیدروژنی قوی

(۲) آنیونی بازی قوی

(۳) کاتیونی ضعیف

(۴) آنیونی ضعیف

۵۳- برای تصفیه آبی که مقدار TDS آن در حد مجاز و NTU آن خیلی زیاد است کدام فرایند مناسب تر است؟

- (۱) آهک و سودزنی  
(۲) میکروفیلتراسیون  
(۳) اسمز معکوس  
(۴) آهک زنی

۵۴- قسمت افقی یک لوله پیتوت در مقابل جریان آب در حال حرکت در مسیر باز قرار دارد. سطح آب در این لوله ۵

سانتی متر بالاتر از سطح جریان آب می باشد. سرعت حرکت آب چند متر بر ثانیه ( $\frac{m}{s}$ ) است؟

- (۱) ۰٫۵  
(۲) ۱  
(۳)  $\sqrt{2}$   
(۴)  $\frac{\sqrt{2}}{2}$

۵۵- ضریب کلی انتقال گرما حاکم بین دو دما، کدام است؟

- (۱) عکس مجموع مقاومتها  
(۲) مجموع ضرایب انتقال گرما  
(۳) مجموع حاصلضرب ضرایب انتقال گرما در مساحت سطح  
(۴) عکس مجموع حاصلضرب مقاومت‌های حائل در مساحت سطح

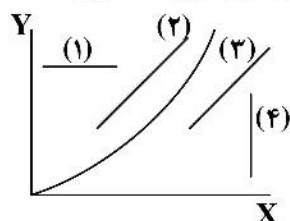
۵۶- در کدام مورد، استفاده از فرایند استخراج مایع - مایع توصیه می شود؟

- (۱) جداسازی مقدار جزئی تولوئن در بنزن  
(۲) جداسازی مقدار جزئی بنزن در تولوئن  
(۳) جداسازی مقدار جزئی فنل در آب  
(۴) جداسازی مقدار جزئی آب در فنل

۵۷- کدام مورد در یک ستون تقطیر بلند، زیاده تر است؟

- (۱) خلوص محصولات  
(۲) جریان برگشتی  
(۳) شدت جریان خوراک  
(۴) تفاوت نقطه جوش سازندها

۵۸- کدام یک از خط کارهای ارائه شده در شکل زیر، معرف فرایند جذب گازی توسط حلال مایع در یک ستون است؟



سایت کنکور

- (۱) ۱  
(۲) ۲  
(۳) ۳  
(۴) ۴

۵۹- ضرایب انتقال جرم برای فازهای گاز و مایع به ترتیب ۶۰ و  $40 \frac{mol}{s.m}$  می باشند. در صورتی که مقاومت انتقال جرم در فاز مایع دو برابر گاز باشد، شیب منحنی تعادلی غلظت مولی گاز بر حسب مایع چقدر است؟

- (۱) ۰٫۶۶  
(۲) ۱  
(۳) ۱٫۳۳  
(۴) ۱٫۵

۶۰- برای افزایش شار انتقال جرم نفوذی یک سازنده گازی درون هوا، کدام روش مؤثرتر است؟

- (۱) کاهش دما  
(۲) کاهش فشار  
(۳) افزایش فشار  
(۴) افزایش دما

۶۱- معادله توزیع تعادلی کسر مولی سازنده فرار در فاز بخار برای یک سیستم به صورت  $y = \frac{3x}{1+2x}$  می باشد. فراریت

نسبی چقدر است؟

- (۱) ۱  
(۲) ۱٫۵  
(۳) ۲  
(۴) ۳

- ۶۲- در کدام ماده، خوردگی گزینشی محتمل تر است؟  
 (۱) مفرغ (۲) فولاد (۳) روی (۴) مس
- ۶۳- تأثیر افزایش pH روی خوردگی با هوا کدام است؟  
 (۱) کاهش (۲) افزایش (۳) ابتدا افزایش و سپس کاهش (۴) خوردگی هوا مستقل از pH است.
- ۶۴- کدام عامل باعث خوردگی خستگی می شود؟  
 (۱) فشار ثابت به یک قطعه فلزی (۲) کشش ثابت به یک قطعه فلزی  
 (۳) فشار متغیر به یک قطعه فلزی (۴) کشش متغیر به یک قطعه فلزی
- ۶۵- خوردگی فرسایشی در کدام محل اتفاق می افتد؟  
 (۱) قسمت نزدیک به سطح آب در یک لوله فلزی که قسمتی در آب و قسمتی در هوا قرار دارد.  
 (۲) محل خم شدگی لوله فولادی به کار رفته در ساختمان  
 (۳) محل اتصال دو فلز  
 (۴) خم لوله های انتقال آب

فیزیک جدید:

- ۶۶- از پراش نوترون برای تعیین ساختارهای زیستی در حد یک نانومتر استفاده می شود. انرژی جنبشی این نوترون ها حداقل باید چه مقدار باشد؟ ( $h = 6.6 \times 10^{-34} \text{ J} \cdot \text{s}$  و جرم نوترون  $1.7 \times 10^{-27} \text{ kg}$  است.)  
 (۱)  $0.8 \text{ meV}$  (۲)  $8 \text{ eV}$   
 (۳)  $8 \text{ keV}$  (۴)  $8 \text{ meV}$
- ۶۷- فوتونی با طول موج  $10^{-4} \text{ nm}$  به ذره ساکنی با جرم سکون  $m_0$  برخورد کرده و کاملاً توسط آن جذب می شود و ذره جدیدی با جرم سکون  $20 \text{ MeV}/c^2$  تولید می شود. مقدار تقریبی  $m_0 c^2$  بر حسب MeV کدام است؟  
 ( $ch \cong 2 \times 10^{-25} \text{ J} \cdot \text{m}$ )

Konkur.in

- ۶۸- در پدیده کامپتون، فوتونی با یک الکترون ساکن برخورد کنشان دارد. انرژی فوتون قبل از برخورد ۳ برابر انرژی جرم سکون الکترون است. پس از برخورد،  $0.4$  انرژی فوتون اولیه به الکترون منتقل می شود. بعد از برخورد زاویه انحراف فوتون کدام است؟

(۱)  $\cos^{-1}\left(\frac{7}{9}\right)$  (۲)  $\cos^{-1}\left(\frac{2}{9}\right)$   
 (۳)  $\cos^{-1}\left(\frac{1}{3}\right)$  (۴)  $60^\circ$

- ۶۹- اتم رادیواکتیوی با تندی  $0.8c$  نسبت به ناظر ساکن در زمین در امتداد مثبت محور  $x$  در حرکت است. این اتم الکترونی را با تندی  $0.4c$  نسبت به چارچوب خود و در راستای عمود بر حرکت خود (امتداد مثبت محور  $y$ ) گسیل می‌کند. اندازه سرعت این الکترون نسبت به ناظر زمینی کدام است؟
- (۱)  $0.84c$  (۲)  $0.63c$   
(۳)  $0.54c$  (۴)  $0.24c$
- ۷۰- در چارچوب مرجع ساکن  $S$  دو رویداد همزمان بر روی محور  $x$  یکی در نقطه  $x = a$  و دیگری در نقطه  $x = -a$  رخ می‌دهد. از دید ناظر  $S'$  که در جهت مثبت محور  $x$  با سرعت  $v$  در حرکت است، کدام عبارت درست است؟
- (۱) رویداد واقع در  $x = -a$  زودتر از رویداد دیگر رخ می‌دهد.  
(۲) رویداد واقع در  $x = a$  زودتر از رویداد دیگر رخ می‌دهد.  
(۳) دو رویداد همزمان اما فاصله آن دو بیش‌تر از  $2a$  است.  
(۴) دو رویداد همزمان اما فاصله آن دو کم‌تر از  $2a$  است.
- ۷۱- در یک آزمایش فوتوالکتریک، نوری با طول موج  $100 \text{ nm}$  به یک فلز می‌تابد. اگر با اعمال اختلاف پتانسیل  $8 \text{ V}$  جریان فوتوالکتریک قطع شود، تندی بیشینه این الکترون‌ها تقریباً چند  $\text{m/s}$  است؟ (جرم الکترون  $9.1 \times 10^{-31} \text{ kg}$  است.)
- (۱)  $3.1 \times 10^7$  (۲)  $2.7 \times 10^6$   
(۳)  $1.7 \times 10^6$  (۴)  $1.3 \times 10^8$
- ۷۲- دو لیزر، اولی با طول موج  $180 \text{ nm}$  و دومی با طول موج  $720 \text{ nm}$  دارای توان یکسان هستند. تعداد فوتون‌هایی که در یک ثانیه از لیزر اول تابش می‌شود، چند برابر لیزر دوم است؟
- (۱) ۴ (۲) ۲  
(۳)  $0.25$  (۴)  $0.5$
- ۷۳- بیشینه نمودار شدت بر حسب طول موج تابش از جسم سیاهی در دمایی معین در طول موج  $810 \text{ nm}$  رخ می‌دهد. اگر دما چنان افزایش یابد که انرژی کل تابشی از این جسم  $81$  برابر شود، بیشینه شدت در دمای جدید در چه طول موجی بر حسب نانومتر رخ خواهد داد؟
- (۱)  $540$  (۲)  $270$   
(۳)  $90$  (۴)  $10$
- ۷۴- یک لامپ از ماده نیم‌رسانایی با گاف انرژی  $4 \text{ eV}$  ساخته شده است. طول موج نور گسیلی از این لامپ چند نانومتر است؟
- (۱)  $31$  (۲)  $62$   
(۳)  $310$  (۴)  $620$
- ۷۵- در یک آزمایش الکترون‌ها با انرژی  $5 \text{ eV}$  به طور عمودی به یک بلور تابیده شده و در بازتاب یک بیشینه در مرتبه اول در زاویه  $2^\circ$  مشاهده می‌شود. نوترون‌ها با چه انرژی به این بلور به طور عمودی تابانده شوند تا در بازتاب، یک بیشینه در مرتبه اول و در همان زاویه  $2^\circ$  مشاهده شود؟ (جرم نوترون  $940 \text{ MeV}/c^2$  است.)
- (۱)  $14 \text{ eV}$  (۲)  $27 \text{ keV}$   
(۳)  $14 \text{ } \mu\text{eV}$  (۴)  $27 \text{ meV}$

۷۶- در فلز سدیم اگر به ازای هر اتم یک الکترون آزاد وجود داشته باشد، تعداد الکترون‌های آزاد در یک سانتی‌متر

مکعب سدیم کدام است؟ (چگالی جرمی سدیم  $970 \text{ kg/m}^3$  و جرم مولی سدیم  $23 \text{ g/mol}$  است.)

$$(1) \quad 2/54 \times 10^{22} \quad (2) \quad 2/54 \times 10^{25}$$

$$(3) \quad 1/34 \times 10^{25} \quad (4) \quad 1/34 \times 10^{28}$$

۷۷- تابع چگالی حالت‌های الکترون‌های آزاد یک فلز در سیستم واحد SI به شکل  $\rho(E) = 1/5 \times 10^{55} \sqrt{E}$  است

که در آن اسپین الکترون نیز در نظر گرفته شده است. اگر چگالی تعداد الکترون‌های آزاد فلز  $8 \times 10^{28} \text{ m}^{-3}$  باشد، انرژی تراز فرمی این فلز چند eV است؟

$$(1) \quad 40 \quad (2) \quad 25$$

$$(3) \quad 2/5 \quad (4) \quad 1/8$$

۷۸- جرم هسته‌های  $^{223}\text{Ra}$ ،  $^{209}\text{Pb}$  و  $^{14}\text{C}$  به ترتیب  $223/01850 \text{ u}$ ،  $208/98107 \text{ u}$  و  $14/00324 \text{ u}$  است.

آیا واپاشی  $^{223}\text{Ra} \rightarrow ^{209}\text{Pb} + ^{14}\text{C}$  می‌تواند رخ دهد؟

( $1 \text{ u} = 931 \text{ MeV}$ )

(۱) آری و مقدار  $3/18 \text{ MeV}$  انرژی آزاد می‌شود.

(۲) آری و مقدار  $31/8 \text{ MeV}$  انرژی آزاد می‌شود.

(۳) به طور خودبخودی خیر، مگر مقدار  $31/8 \text{ MeV}$  انرژی به رادیوم داده شود.

(۴) به طور خودبخودی خیر، مگر مقدار  $3/18 \text{ MeV}$  انرژی به رادیوم داده شود.

۷۹- در سنگ معدن اورانیوم نسبت کنونی تعداد اتم‌های  $^{235}\text{U}$  به  $^{238}\text{U}$  برابر ۱ به  $130$  است. این نسبت در  $3 \times 10^9$

سال قبل چقدر بوده است؟ (نیمه عمر اتم‌های  $^{235}\text{U}$  و  $^{238}\text{U}$  به ترتیب  $4/8 \times 10^8 \text{ y}$  و  $4/5 \times 10^9 \text{ y}$  است.)

( $\ln 2 = 0/7$  و  $e^{1/87} \approx 6/5$ )

$$(1) \quad 0/10 \quad (2) \quad 0/019$$

$$(3) \quad 0/013 \quad (4) \quad 0/05$$

۸۰- در لامپ  $^{137}\text{Cs}$  فرض شود در دمای  $23^\circ \text{C}$  تمام اتم‌ها با تندی میانگین مربعی در حرکتند. پهن‌شدگی که در

خط طیفی با انرژی  $800 \text{ keV}$  به سبب این حرکت گرمایی چشمه ایجاد می‌شود، چقدر است؟

(ثابت بولتزمن  $J/K$   $1/4 \times 10^{-23}$  و جرم پروتون و نوترون  $1/7 \times 10^{-27} \text{ kg}$  فرض شوند.)

$$(1) \quad 0/25 \text{ eV} \quad (2) \quad 0/25 \text{ keV}$$

$$(3) \quad 1/25 \text{ eV} \quad (4) \quad 1/25 \text{ keV}$$

۸۱- اگر عدم قطعیت در تعیین مکان یک الکترون  $5 \times 10^{-13} \text{ m}$  باشد، در اندازه‌گیری هم‌زمان ممتموم خطی الکترون، کمینه

عدم قطعیت در اندازه‌گیری ممتموم، بر حسب  $\text{kg} \cdot \text{m/s}$  کدام است؟

$$(1) \quad 5/25 \times 10^{-14} \quad (2) \quad 3/3 \times 10^{-11}$$

$$(3) \quad 2/1 \times 10^{-12} \quad (4) \quad 1/05 \times 10^{-22}$$

۸۲- یک الکترون در چاه بی‌نهایت عمیق یک بعدی به پهنای  $2\text{nm}$  محدود شده است. کمینه انرژی الکترون چقدر است؟

$$(1) \quad 9/5 \text{ meV} \quad (2) \quad 37/6 \text{ meV}$$

$$(3) \quad 9/5 \text{ eV} \quad (4) \quad 37/6 \text{ eV}$$

۸۳- دیواره‌های یک چاه بی‌نهایت عمیق یک بعدی در  $x=0$  و  $x=L$  قرار دارد. ذره‌ای به جرم  $m$  درون این چاه حرکت

می‌کند و تابع موج آن  $\psi(x) = A \sin^2\left(\frac{3\pi x}{L}\right)$  است. ضریبی ثابت است. احتمال آن که ذره در ناحیه  $x = L/2$

تا  $x = L$  یافت شود، کدام است؟

$$(1) \quad \frac{2}{3} \quad (2) \quad \frac{1}{3}$$

$$(3) \quad \frac{1}{4} \quad (4) \quad \frac{1}{2}$$

۸۴- یک اتم هیدروژن گذاری از حالتی با  $n=3$  به حالتی با  $n=1$  انجام می‌دهد. اندازه ممنتوم خطی فوتون گسیل شده

برحسب  $\text{kg} \cdot \text{m} / \text{s}$  کدام است؟

$$(1) \quad 4/0 \times 10^{-8} \quad (2) \quad 5/0 \times 10^{-9}$$

$$(3) \quad 6/5 \times 10^{-27} \quad (4) \quad 8/1 \times 10^{-28}$$

۸۵- در برخورد الکترون‌های پراورزی (از مرتبه بزرگی  $\text{keV}$ ) با عناصر مختلف، کدام رابطه در مورد  $f$  فرکانس خط

$K_{\alpha}$  در طیف مشخصه پرتو ایکس تابشی از ماده درست است؟ ( $A$  عدد جرمی،  $Z$  عدد اتمی عنصر مورد نظر و

$c$  ضریبی ثابت است.)

$$(1) \quad f = c(\sqrt{Z} - 1)$$

$$(2) \quad f = c(\sqrt{A} - 1)$$

$$(3) \quad \sqrt{f} = c(Z - 1)$$

$$(4) \quad \sqrt{f} = c(A - 1)$$

شیمی فیزیک و ترمودینامیک:

۸۶- اگر تغییر آنتالپی تغییر حالت ماده‌ای از مایع به بخار برحسب کالری بر مول برابر با رابطه زیر باشد:

$$\Delta H_{(L \rightarrow g)} = 50T + 6 \times 10^{-3} T^2 \frac{\text{cal}}{\text{mol}}$$

مقدار لگاریتم طبیعی فشار بخار این ماده تقریباً با کدام گزینه برابر است؟  $\left( R \approx 2 \frac{\text{cal}}{\text{mol.K}} \right)$

$$(1) \quad \text{مقدار ثابت} + 3 \times 10^{-3} T + 100 \ln T$$

$$(2) \quad \text{مقدار ثابت} + 6 \times 10^{-3} T + 25 \ln T$$

$$(3) \quad \text{مقدار ثابت} + 3 \times 10^{-3} T + 25 \ln T$$

$$(4) \quad \text{مقدار ثابت} + 3 \times 10^{-3} T + 50 \ln T$$



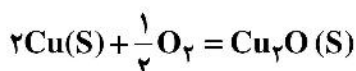
۸۷- تغییر انتروپی محیط در جریان انجماد یک مول آب در دمای  $15^{\circ}\text{C}$  - چند  $\frac{\text{J}}{\text{mol.K}}$  است؟ (آنتالپی انجماد در

صفر درجه سانتی‌گراد  $6 \frac{\text{kJ}}{\text{mol}}$  و اختلاف ظرفیت گرمایی در جریان انجماد  $37/3 \frac{\text{J}}{\text{mol.K}}$  است.)

(۱) ۳۰ (۲) ۲۱

(۳) ۱۵ (۴) ۵

۸۸- برای واکنش زیر، مقدار تغییرات آنتالپی استاندارد ( $\Delta H^{\circ}$ ) در دمای محیط برابر با چند کیلوژول بر مول است؟



$$\Delta G^{\circ} = -169000 - 16/4T \log T \text{ J}$$

(۱) -۱۷۰

(۲) -۱۶۷

(۳) ۱۲۰

(۴) -۱۰۰

۸۹- طبق رابطه زیر، حجم گاز ایدئالی با یک فرایند انبساطی برگشت پذیر هم‌دما ۲ برابر می‌شود. تغییرات انرژی درونی

و آنتالپی به ترتیب از چپ به راست با کدام گزینه برابر است؟ ( $P = 1000 \text{ V}^{-2}$ )

(۱)  $0, -750 \text{ V}^{-2} \text{ lit. atm}$  (۲)  $0, 3000 \text{ V}^{-2} \text{ lit. atm}$

(۳)  $-750 \text{ V}^{-2}, -3000 \text{ V}^{-2} \text{ lit. atm}$  (۴)  $-3000 \text{ V}^{-2}, -750 \text{ V}^{-2} \text{ lit. atm}$

۹۰- وقتی فشار یک مایع به جرم  $30$  گرم به‌طور ایزوترم به میزان  $3000$  اتمسفر افزایش یابد، انرژی آزاد آن به

میزان  $12 \text{ kJ}$  افزایش می‌یابد، جرم حجمی مایع فوق، چند گرم بر سانتی‌متر مکعب است؟

(۱) ۷۵۵ (۲) ۷/۵

(۳) ۰/۷۶ (۴) ۰/۰۰۷

۹۱- یک مول گاز ایدئال از حالت ۱ (فشار ۱۵ اتمسفر و حجم ۱۵ لیتر) تحت فرایند آدیاباتیک برگشت پذیر به حالت ۲

(فشار ۱۰ اتمسفر و حجم ۱۹/۱۶ لیتر) منبسط می‌شود. کار انجام شده حدوداً چند لیتر اتمسفر است؟

$$(C_V = 1/2R)$$

(۱) ۵۵ (۲) صفر

(۳) ۴۵ (۴) ۵۰

۹۲- در نمودار دوتایی  $A-B$ ، ترکیبات میانی  $A_3B$ ،  $AB$  و  $AB_3$  مشاهده می‌شوند. در دمای  $200^{\circ}\text{C}$  در محدوده

$X_B > 0/75$ ، اکتیویته  $B$  نسبت به استاندارد  $B$  مذاب خالص چقدر است؟  
 $L_f^B = 4730 \frac{\text{cal}}{\text{mol}}$

$T_m^B = 673^{\circ}\text{C}$  (۱) ۱

$R = 2 \frac{\text{cal}}{\text{mol.K}}$  (۲) ۰/۰۸

(۳) ۰/۰۵

$e^{2/5} = 12$  (۴) ۰/۰۲

۹۳- مقدار ضریب اکتیویته جزء A در یک محلول ۲ تایی B - A از رابطه زیر پیروی می کند:

$$\ln \gamma_A = \frac{X_B - X_B^\gamma}{0.2 - 0.2 X_B^\gamma}$$

مقدار ثابت هنری A ( $\gamma_A^\circ$ ) کدام است؟

۱ (۱) ۵ (۲)

۱۲ (۳) ۱۸ (۴)

۹۴- یک مول گاز ایدئال تک اتمی در دمای ۲۹۸K و فشار ۲۰ اتمسفر، در اثر یک تحول آدیاباتیک منبسط شده و فشار آن به ۱۰ اتمسفر می رسد. در اثر این تحول ۱۰۰۰ ژول کار انجام شده است. آنتروپی تولید شده بر حسب

$\ln \frac{V}{V_0} = -0.3$  و  $\ln \frac{1}{2} = -0.7$  کدام است؟  $\frac{J}{\text{mol.deg}}$

۱) ۰.۷۵ - ۲) ۰.۳۶ -

۳) ۱.۵ ۴) صفر

۹۵- تغییرات انرژی آزاد تبدیل سولفور جیوه قرمز به سولفور جیوه سیاه در دمای ۷۷۳ K براساس رابطه زیر به دست می آید:

$$\Delta G^\circ = -0.25 (\text{Lit. atm}) \text{ HgS} = \text{HgS} \text{ (جامد و سیاه)}$$

فشار دو فاز HgS در چند اتمسفر با هم در تعادل هستند؟ (اطلاعات زیر باید در صورت لزوم در محاسبه به کار گرفته شود).

$$M_{\text{HgS}} = 250 \frac{\text{g}}{\text{gmol}} \quad \rho_{\text{HgS}} \text{ (قرمز)} = 5 \frac{\text{g}}{\text{cm}^3} \quad \rho_{\text{HgS}} \text{ (سیاه)} = 4 \frac{\text{g}}{\text{cm}^3}$$

۱) ۱۲.۵ ۲) ۱۲۵

۳) ۲۱۰ ۴) ۲۱

۹۶- آنتروپی آرگون نسبت به دما، با تقریب رضایت بخشی از رابطه زیر تبعیت می کند. کدام گزینه  $C_p$  آرگون بر حسب

دما را بیان می کند؟

$$S = 36.36 + 20.79 \ln T \left( \frac{J}{K} \right)$$

۱)  $36.36 + 20.79 T (J)$

۲)  $36.3 (J)$

۳)  $20.79 T (J)$

۴)  $20.79 (J)$

۹۷- اگر انرژی آزاد گیبس سیستم گازی از رابطه زیر با دما تبعیت کند،  $C_p$  برای این سیستم گازی کدام است؟

$$(G = 2aT^3 + 3bT^2)$$

(a و b مقادیر ثابت و منفی هستند.)

۱)  $C_p = -12aT^2 - 6bT$

۲)  $C_p = -2aT^2 - 3bT$

۳)  $C_p = -12aT - 6b$

۴)  $C_p = -2aT^4 - 3bT^2$

۹۸- در  $25^\circ\text{C}$  و فشار  $1\text{ atm}$  فاز A پایدار است. اگر برای استحاله فازی  $A \rightarrow B$  در  $25^\circ\text{C}$ ،  $\Delta G = 28456\text{ cm}^3 \cdot \text{atm}$  باشد و در صورتی که برای این تغییر فاز  $V_B - V_A = -2 \frac{\text{cm}^3}{\text{mol}}$  و مستقل از فشار باشد، فشاری که باید به A اعمال شود تا به B استحاله یابد، چند اتمسفر است؟

$$14227 \quad (1) \quad 14229 \quad (2)$$

$$28456 \quad (3) \quad 28457 \quad (4)$$

۹۹- یک مول آلومینیوم در فشار  $1\text{ atm}$  و دمای  $302\text{ K}$  قرار دارد. میزان تغییر فشار بر حسب اتمسفر که باید به آلومینیوم در این دما اعمال شود تا آنالپی مولی آن  $0.998$  لیتر اتمسفر تغییر کند، چقدر است؟ ضریب انبساط حجمی آلومینیوم

$$\alpha_{Al} = \frac{1}{1510} \times 10^{-2} \text{ K}^{-1} \quad \text{در نظر می‌گیریم. (حجم مولی آلومینیوم مستقل از فشار } V_{Al} = 1\text{ cm}^3 \text{ است.)}$$

$$800 \quad (1)$$

$$900 \quad (2)$$

$$1000 \quad (3)$$

$$1100 \quad (4)$$

۱۰۰- در محلول با قاعده A - B، اگر  $X_A$  از  $0.7$  به  $0.4$  تغییر یابد، انرژی آزاد اضافی جزء A چند برابر می‌شود؟

$$4 \quad (1) \quad \frac{49}{4} \quad (2)$$

$$\frac{4}{7} \quad (3) \quad \frac{4}{49} \quad (4)$$

۱۰۱- اگر وزن اتمی A و B به ترتیب  $M_A$  و  $M_B$  باشد، نسبت اکتیویته رانولت جزء B به اکتیویته هنری درصد وزنی B کدام است؟

$$\gamma_B^\circ \cdot \frac{M_A}{100 M_B} \quad (1) \quad \frac{M_A}{100 M_B} \quad (2)$$

$$\gamma_B^\circ \cdot \frac{M_B}{100 M_A} \quad (3) \quad RT \ln \left( \gamma_B^\circ \frac{M_A}{100 M_B} \right) \quad (4)$$

۱۰۲- در محلول دوگانه (A - B) اکتیویته A در محدوده  $0.3 < X_A \leq 0$  از رابطه  $a_A = 0.2 X_A$  پیروی می‌کند  $\ln \gamma_B$  در  $X_B = 0.85$  کدام است؟

$$-\ln 0.2 \quad (1) \quad \ln 0.2 \quad (2)$$

$$\ln 0.85 \quad (3) \quad \text{صفر} \quad (4)$$

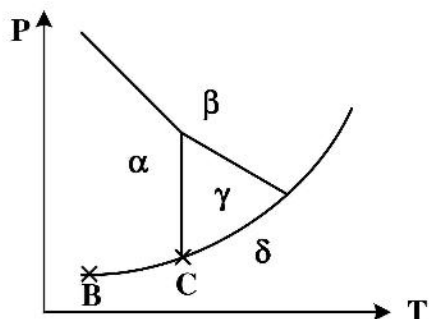
۱۰۳- ثابت هنری برای جزء A در محلول جامد A - B از رابطه زیر به دست می‌آید. حل شدن B در محلول A - B در فشار ثابت چگونه است؟

$$\ln \gamma_A^\circ = + \frac{1000}{T} + 0.2$$

$$(1) \quad \text{امکان پذیر نیست.} \quad (2) \quad \text{گرماگیر است.}$$

$$(3) \quad \text{گرمازا است.} \quad (4) \quad \text{بدون تبادل گرما است.}$$

۱۰۴- نمودار تعادل چهار فاز  $\alpha, \beta, \gamma, \delta$  مربوط به یک جزء در شکل زیر داده شده است. درجه آزادی در نقطه B و C



به ترتیب کدام است؟

- (۱) یک - یک
- (۲) یک - صفر
- (۳) دو - یک
- (۴) دو - صفر

۱۰۵- محلولی از آهن و کروم حاوی ۲۰ درصد مولی کروم در دمای  $1910^{\circ}\text{C}$  به صورت مذاب موجود است. اگر یک مول کروم جامد در دمای  $25^{\circ}\text{C}$  درجه سانتی گراد به مقدار زیادی از این محلول اضافه شود، تغییرات آنتالپی این فرایند چندکیلو ژول بر مول است؟ (فرض کنید آلیاژهای مذاب آهن و کروم ایدئال بوده و ظرفیت گرمایی در فشار ثابت

برای کروم جامد و مذاب تقریباً یکسان باشد و برابر  $5 \frac{\text{J}}{\text{mol.K}}$  در نظر گرفته شود.)

$$L_f^{\text{Cr}} = 21 \frac{\text{kJ}}{\text{mol}}, T_m^{\text{Cr}} = 1900^{\circ}\text{C}$$

- |        |         |
|--------|---------|
| (۱) ۲۱ | (۲) ۱۰  |
| (۳) ۳۰ | (۴) صفر |

خواص فیزیکی و مکانیکی مواد:

۱۰۶- یک فولاد هایپر یوتکتوئید سرد شده به صورت تعادلی، دارای ۱۰/۸٪ سمنتیت یوتکتوئیدی است. درصد وزنی کربن این فولاد چقدر است؟

$$(\%C_p = 0.8 \text{ wt.}\%, C_{F\gamma C} = 6.7 \text{ wt.}\%)$$

- |          |          |
|----------|----------|
| (۱) ۱/۲۵ | (۲) ۱/۳۹ |
| (۳) ۱/۶۷ | (۴) ۱/۸۹ |

۱۰۷- الکترون گاتیویته چهار عنصر A, B, C و D به ترتیب برابر ۳، ۱، ۲ و ۴ است. اگر مشخصه یونی بین A و B با  $I_{AB}$  و بین C و D با  $I_{CD}$  نمایش داده شوند، کدام مورد درست است؟

- (۱)  $I_{AB} = I_{CD}$
- (۲)  $I_{AB} = 2I_{CD}$
- (۳)  $I_{AB} = \frac{1}{2}I_{CD}$
- (۴)  $I_{AB} = 4I_{CD}$

۱۰۸- در آلیاژ  $A-5\%B$  (برحسب درصد اتمی) اگر ضریب نفوذ شیمیایی ثابت باشد، مقدار ضریب نفوذ شیمیایی آلیاژ فوق با توجه به ضریب نفوذ درهم در دمای محیط، کدام است؟

$$D_A = 1.28 \times 10^{-12} \frac{m^2}{s}$$

$$D_B = 2.1 \times 10^{-12} \frac{m^2}{s}$$

$$2.14 \times 10^{-10} \frac{m^2}{s} \quad (1)$$

$$2.14 \times 10^{-10} \frac{cm^2}{s} \quad (2)$$

$$1.69 \times 10^{-10} \frac{m^2}{s} \quad (3)$$

$$1.69 \times 10^{-10} \frac{cm^2}{s} \quad (4)$$

۱۰۹- اگر معادله رشد دانه‌ها به صورت  $D^n = Kt$  باشد ( $D$  قطر دانه،  $t$  زمان و  $K$  و  $n$  اعداد ثابت هستند). در شرایط ایدئال مقدار  $n$  کدام است؟

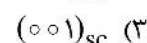
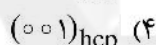
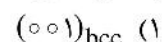
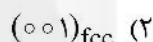
$$0.5 \quad (1)$$

$$1 \quad (2)$$

$$2 \quad (3)$$

$$> 2 \quad (4)$$

۱۱۰- چگالی اتمی کدام صفحه کریستالی از همه کمتر است؟



۱۱۱- در ساختار بلوری روبه‌رو، ترکیب شیمیایی فاز میانی  $A_m B_n$  کدام است؟



۱۱۲- در ترکیب بین فلزی الکترونی  $Cu_5 Al_3$  نسبت الکترون به اتم کدام است؟

$$\frac{7}{4} \quad (2)$$

$$\frac{21}{13} \quad (1)$$

$$\frac{21}{15} \quad (4)$$

$$\frac{3}{2} \quad (3)$$

۱۱۳- دو قطعه از یک آلیاژ فولادی با ترکیب شیمیایی  $0.1\%$  درصد وزنی کربن را در نظر بگیرید که در محدوده دو فازی فریت + آستنیت دیاگرام فازی، یکی در دمای  $723^\circ C$  و دیگری در دمای  $800^\circ C$  نگهداری و سپس در آب یخ کوئنچ می‌شود. کدام مورد در خصوص سختی این دو قطعه پس از کوئنچ درست است؟

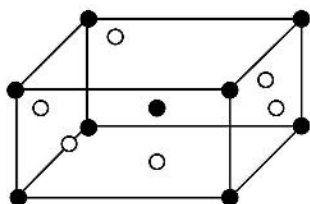
(دمای یوتکتوئید =  $723^\circ C$  و ترکیب شیمیایی یوتکتوئید =  $0.8\%$  درصد وزنی)

(۱) نمونه‌ای که در  $800^\circ C$  نگهداری شده، سخت‌تر خواهد بود.

(۲) نمونه‌ای که در  $723^\circ C$  نگهداری شده، سخت‌تر خواهد بود.

(۳) به‌واسطه مقدار کربن مشابه، سختی هر دو قطعه یکسان خواهد بود.

(۴) عملیات کوئنچ در این نمونه‌ها سبب سخت شدن قطعات نخواهد شد.



● اتم A

○ اتم B

- ۱۱۴- کدام مورد در خصوص تحولات فازي نادرست است؟  
 (۱) تشکیل دوقلوبی یک تحول فازي نیست.  
 (۲) تجزیه اسپینودال در زیر مجموعه تحولات فازي همگن قرار می‌گیرد.  
 (۳) در تجزیه اسپینودال، نفوذ در راستای کاهش شیب غلظتی انجام می‌شود.  
 (۴) تشکیل فاز  $\theta$  ( $Al_3Cu$ ) در آلیاژهای  $Al-Cu$  یک تحول فازي غیرهمگن است.
- ۱۱۵- رابطه ضریب نفوذ بین نشین برحسب ثابت شبکه (a) و فرکانس پرش‌های موفق (f) در یک شبکه FCC کدام مورد است؟

$$\frac{1}{6}fa^2 \quad (۱) \quad \frac{1}{8}fa^2 \quad (۲) \quad \frac{1}{۱۲}fa^2 \quad (۳) \quad \frac{1}{۲۴}fa^2 \quad (۴)$$

- ۱۱۶- رابطه هال پچ برای یک پلی کریستال به صورت  $\frac{1}{d} = \sigma_i + kd$  داده شده است. اگر در این پلی کریستال غلظت ذرات ریز دو برابر شود و اندازه دانه تغییری نکند، کدام مورد درست است؟  
 (۱)  $\sigma_i$  افزایش می‌یابد.  
 (۲)  $\sigma_i$  و  $\sigma_o$  ثابت می‌ماند.  
 (۳)  $\sigma_o$  کاهش و  $\sigma_i$  افزایش می‌یابد.  
 (۴)  $\sigma_o$  افزایش و  $\sigma_i$  کاهش می‌یابد.

- ۱۱۷- کدام مورد در خصوص برهم‌کنش الکتریکی اتم محلول و نابه‌جایی لبه‌ای درست است؟  
 (۱) نابه‌جایی از نظر الکتریکی خنثی بوده و برهم‌کنشی با اتم محلول ندارد.  
 (۲) الکترون‌های ظرفیتی اتم محلول و دو قطبی الکتریکی نابه‌جایی برهم‌کنش دارد.  
 (۳) الکترون‌های ظرفیتی اتم محلول و اتم زمینه برهم‌کنشی داشته و انرژی کرنشی نابه‌جایی کاهش می‌یابد.  
 (۴) الکترون‌های ظرفیتی اتم محلول و اتم زمینه برهم‌کنشی داشته و انرژی کرنشی نابه‌جایی افزایش می‌یابد.
- ۱۱۸- معادله منحنی تنش - کرنش در یک فلز چند بلوری برحسب Pa به صورت  $\sigma = 10^6 (60 + 200\epsilon)$  است. انرژی لازم برای تغییر شکل  $5m^3$  از این فلز با کرنش یکنواخت ۰/۴ چند MJ است؟

$$40 \quad (۱) \quad 100 \quad (۲) \quad 200 \quad (۳) \quad 400 \quad (۴)$$

- ۱۱۹- در یک تک بلور آلومینیوم نیروی کششی در جهت  $[100]$  چقدر باشد تا نیروی برشی در سیستم  $[101]$  (۱۱۱) برابر با  $100N$  ایجاد کند؟

$$50\sqrt{2} \quad (۱) \quad 50\sqrt{6} \quad (۲) \quad 100\sqrt{2} \quad (۳) \quad 100\sqrt{6} \quad (۴)$$

- ۱۲۰- قطعه‌ای از فولاد نرم به صورت ترد شکسته است. چه عاملی می‌تواند باعث این نوع شکست شود؟  
 (۱) کاهش کم دما  
 (۲) بارگذاری انفجاری  
 (۳) بار فشاری و یا کششی بالا  
 (۴) بارگذاری با سرعت کم

- ۱۲۱- شعاع اتمی آلومینیوم  $R = 0.157nm$  و فاصله بین نابه‌جایی‌های لبه‌ای در مرز کم زاویه  $D = 50nm$  است. میزان زاویه این مرز چند درجه است؟

$$0.628 \quad (۱) \quad 0.314 \quad (۲) \quad 0.18 \quad (۳) \quad 0.36 \quad (۴)$$

۱۲۲- کدام مورد دربارهٔ تشکیل دوقلویی درست است؟

- (۱) تشکیل دوقلویی به انرژی نقص چیدن بستگی ندارد.
  - (۲) در فلزات با انرژی نقص چیدن کم، دوقلوی تابکاری به وجود می‌آید.
  - (۳) در فلزات با انرژی نقص چیدن کم، دوقلوی مکانیکی به وجود می‌آید.
  - (۴) در فلزات با انرژی نقص چیدن زیاد، دوقلوی تابکاری به وجود می‌آید.
- ۱۲۳- کدام مورد دربارهٔ مقاومت یک ماده به شکست (یا رشد ترک) درست است؟

- (۱) با افزایش منطقه مومسان راس ترک، کاهش می‌یابد.
  - (۲) با افزایش منطقه مومسان راس ترک، افزایش می‌یابد.
  - (۳) در سرامیک‌ها دگرگونی فازی ناشی از کرنش، بر آن تأثیری ندارد.
  - (۴) در سرامیک‌ها بر اثر دگرگونی فازی ناشی از کرنش، کاهش می‌یابد.
- ۱۲۴- اگر مدول یانگ برای فولاد  $220 \text{ GPa}$  و تنش برشی اعمالی بر نمونه‌ای از این فولاد  $100 \text{ MPa}$  باشد، کرنش برشی برابر کدام مورد خواهد بود؟ ( $\nu = 0.25$ )

- (۱)  $1.13 \times 10^{-3}$
- (۲)  $0.45 \times 10^{-3}$
- (۳)  $0.9 \times 10^{-3}$
- (۴)  $2.26 \times 10^{-3}$

۱۲۵- پس از اعمال بار کششی تک محور  $80 \text{ kN}$  در جهت Z بر یک قطعه فولادی به طول  $1/5 \text{ m}$  و با سطح مقطع  $100 \text{ mm} \times 50 \text{ mm}$ ، تغییر طول آن در جهت Z چند میکرون است؟ (درحالی‌که رفتار آن الاستیک باشد و مدول یانگ آن  $200 \text{ GPa}$  باشد).

- (۱) ۶
- (۲) ۱۶۷
- (۳) ۱۲
- (۴) ۲۵

سایت کنکور

پدیده‌های انتقال (انتقال جرم، مکانیک سیالات، انتقال حرارت):

۱۲۶- در انتخاب نوع برج‌های سینی‌دار و پرشده، نسبت  $\frac{L}{G}$  (جریان مایع به گاز) چه تأثیری دارد؟

- (۱) نسبت  $\frac{L}{G}$  تأثیری در انتخاب نوع برج ندارد.
- (۲) اگر نسبت  $\frac{L}{G}$  کم باشد، برج‌های سینی‌دار مناسب است.
- (۳) اگر نسبت  $\frac{L}{G}$  بالا باشد، برج‌های سینی‌دار مناسب است.
- (۴) اگر نسبت  $\frac{L}{G}$  کم باشد، برج‌های پرشده مناسب است.

۱۲۷- در فرایند اختلاط با استفاده از همزن از نوع پروانه‌ای (marine type)، اگر  $d$  قطر همزن و  $T$  قطر مخزن باشد، کدام مورد صحیح است؟

- (۱) نسبت  $\frac{d}{T}$  حدود  $\frac{1}{3}$  بوده و برای انواع مایعات ویسکوز مناسب است.  
 (۲) نسبت  $\frac{d}{T}$  حدود  $\frac{1}{5}$  بوده و برای انواع مایعات ویسکوز مناسب است.  
 (۳) نسبت  $\frac{d}{T}$  حدود  $\frac{1}{5}$  بوده و برای اختلاط مایعات با ویسکوزیته پایین به کار می‌رود.  
 (۴) نسبت  $\frac{d}{T}$  حدود  $\frac{1}{3}$  بوده و برای اختلاط مایعات با ویسکوزیته پایین کاربرد دارد.

۱۲۸- در مورد جذب یک جزء از فاز گاز، به داخل لایه‌ریزانی از فیلم مایع، کدام یک از موارد زیر نادرست است؟

- (۱) در شدت جریان کم فیلم مایع، ضریب انتقال جرم متوسط، متناسب با ضریب نفوذ خواهد بود.  
 (۲) در شدت جریان زیاد مایع، ضریب انتقال جرم متوسط، متناسب با ضریب نفوذ خواهد بود.  
 (۳) در زمان تماس کوتاه مایع و گاز، ضریب انتقال جرم متوسط، متناسب با ضریب نفوذ به توان  $0.5$  خواهد بود.  
 (۴) در شدت جریان زیاد فیلم مایع، ضریب انتقال جرم متوسط، متناسب با ضریب نفوذ به توان  $0.5$  خواهد بود.

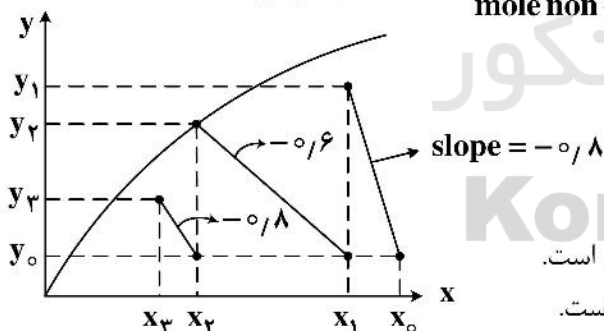
۱۲۹- اگر منحنی تعادلی از رابطه  $y = 3x$  (بر حسب mole fraction) تبعیت کند،  $k_y$  برابر کدام است؟

$$(1) \frac{3k_x K_x}{k_x - K_x} \quad (2) \frac{k_x K_x}{3(k_x + K_x)}$$

$$(3) \frac{3k_x K_x}{k_x + K_x} \quad (4) \frac{k_x K_x}{3(k_x - K_x)}$$

۱۳۰- در یک فرایند متقاطع سه مرحله‌ای، نمودار خطوط تبادل در مختصات تعادلی به صورت زیر است. کدام گزینه در مورد این

فرایند نادرست است؟ ( $x$  و  $y$  به ترتیب نسبت‌های مولی  $\left(\frac{\text{mole A}}{\text{mole non-A}}\right)$  در فاز گاز و مایع می‌باشد).



سایت کنکور

Konkur.in

www.konkur.in

- (۱) خروجی جریان‌های مرحله دوم به تعادل می‌رسند.  
 (۲) جداسازی جزء A در مرحله دوم از دو مرحله دیگر بیشتر است.  
 (۳) شدت جریان حلال‌های ورودی به هر سه مرحله یکسان است.  
 (۴) غلظت A در جریان حلال‌های استفاده شده در هر سه مرحله یکسان است.

۱۳۱- کریستال آبداری به فرمول  $(M \cdot 7H_2O)$  در آب ساکن حل می‌شود. در این فرمول شیمیایی M بنیان نمک می‌باشد و دارای ۷ مولکول آب تبلور می‌باشد. کدام جمله در مورد شارهای نفوذی اجزاء (J) و شارها نسبت به محل ثابت (N) صحیح است؟

- (۱)  $N_{H_2O}$ ، ۷ برابر  $N_M$  ولی در خلاف جهت هم هستند.  
 (۲)  $J_{H_2O}$ ، ۷ برابر  $N_M$  و هر دو در یک جهت هستند.  
 (۳)  $N_{H_2O}$ ، ۷ برابر  $N_M$  و هر دو در یک جهت هستند.  
 (۴)  $J_{H_2O}$ ، ۷ برابر  $N_{H_2O}$  و خلاف جهت هم هستند.



۱۳۲- کدام رابطه شار جرمی  $J_A$  را برای یک سیستم دو جزئی به درستی نشان می‌دهد؟ ( $v$  سرعت جرمی متوسط و  $v_A$  و  $v_B$  سرعت‌های اجزای A و B هستند.)

$$\begin{aligned} (1) \quad & \rho \omega_A \omega_B (v_A - v_B) \\ (2) \quad & \rho_A \omega_A (v_A - v_B) \\ (3) \quad & \rho_A \omega_A (v - v_A) \\ (4) \quad & \rho \omega_A \omega_B (v - v_A) \end{aligned}$$

۱۳۳- اگر Head توسعه یافته پمپ برابر  $1500 \frac{J}{kg}$ ، راندمان پمپ برابر ۶۰٪ و دبی جرمی سیال برابر  $2 \frac{kg}{sec}$  باشد،

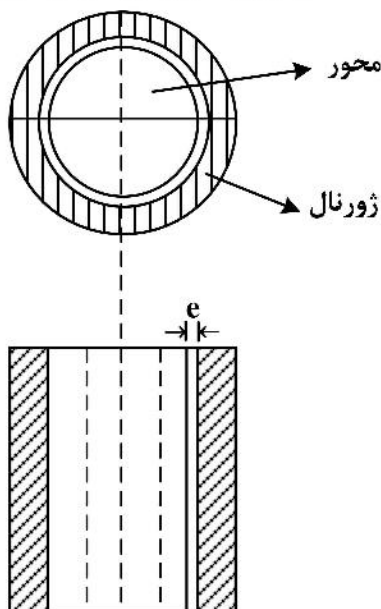
میزان توان اعمال شده به سیال در خروجی پمپ بر حسب وات برابر کدام مورد است؟

- (۱) ۲۴۰۰
- (۲) ۳۰۰۰
- (۳) ۵۰۰۰
- (۴) ۴۰۰۰

۱۳۴- در یک بستر سیال شده (Fluidized) شرط خروج ذرات جامد از بستر، کدام یک از حالات زیر است؟

- (۱) نیروی ارشمیدس بیشتر از نیروی ثقلی بستر باشد.
- (۲) مجموع نیروهای ثقلی، ارشمیدس و کشش برابر با صفر باشد.
- (۳) نیروی وزن بستر بیشتر از نیروی کشش (Drag) ذرات باشد.
- (۴) سرعت سیال در بستر بیشتر از سرعت حد ذرات در بستر باشد.

۱۳۵- یک محور قائم داخل یاتاقانی دوران می‌کند فرض می‌شود که محور و ژورنال شفت با هم متحدالمرکز باشند لایه‌ای از روغن به ضخامت  $e$  و لزجت  $\mu$  محور را از یاتاقان جدا می‌کند. اگر قطر محور  $D$  و سرعت زاویه‌ای آن  $\omega$  رادیان بر ثانیه باشد توان تلف شده برای غلبه بر اصطکاک در این سرعت کدام است؟ (روغن را سیال نیوتنی و طول یاتاقان را  $l$  در نظر بگیرید.)



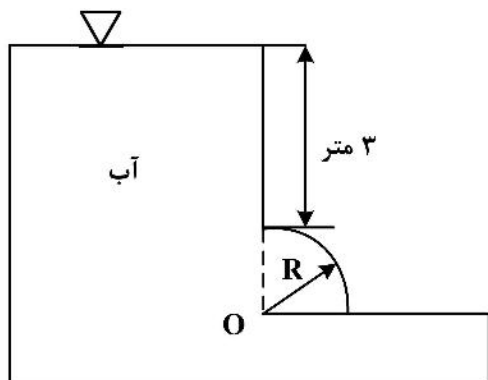
$$P = \frac{\mu \pi D^3 l \omega}{4e} \quad (1)$$

$$P = \frac{\mu \pi D^2 l \omega}{2e} \quad (2)$$

$$P = \frac{\mu \pi D^3 l \omega^2}{4e} \quad (3)$$

$$P = \frac{\mu \pi D^2 l \omega^2}{2e} \quad (4)$$

۱۳۶- با توجه به شکل زیر، مؤلفه افقی نیروی کلی فشاری وارد از طرف آب بر دریچه ربع استوانه‌ای شکل به شعاع  $R = 2m$  و عمق ۴ متر به کدام مورد نزدیک‌تر است؟



(۱)  $140 \text{ kN}$

(۲)  $280 \text{ kN}$

(۳)  $320 \text{ kN}$

(۴)  $450 \text{ kN}$

۱۳۷- سیمی به قطر خیلی کوچک به صورت یک حلقه بزرگ با قطر  $D$  درآورده می‌شود. این حلقه به صورت افقی و به آهستگی روی سطح آزاد یک مایع با کشش سطحی  $\sigma$  قرار داده می‌شود. مقدار نیروی وارده از طرف سیال به حلقه تقریباً برابر کدام است؟

(۱)  $\pi D \sigma$

(۲)  $2\pi D \sigma$

(۳)  $2\pi D^2 \sigma$

(۴)  $\frac{\pi D^2}{4} \sigma$

۱۳۸- منحنی که در همه جا بر بردار سرعت لحظه‌ای مماس است، کدام مورد می‌باشد؟

(۱) خط جریان (Stream line)

(۲) خط زمان (Time line)

(۳) خط مسیر (Path line)

(۴) لوله جریان (Stream tube)

۱۳۹- در یک جریان دو بعدی، بردار سرعت به صورت زیر می‌باشد. آیا می‌توان از معادله برنولی برای محاسبه اختلاف فشار بین دو نقطه در مسیر جریان استفاده نمود؟

$$\vec{v} = (2x + y)\vec{i} + (-x + 2y)\vec{j}$$

(۱) خیر، جریان چرخشی است.

(۲) خیر، چون جریان غیردائم است.

(۳) بلی، جریان دو بعدی و غیرتراکم‌پذیر است.

(۴) خیر، چون جریان تراکم‌پذیر است.

۱۴۰- در انتقال حرارت ناپایدار در دیواره‌ای به ضخامت  $2L$ ، متغیر بی‌بعد دما در دیواره جسم  $(\theta)$  برابر

$$\frac{T(\frac{x}{L} = 1) - T_{\infty}}{T_0 - T_{\infty}}$$

می‌باشد و مقدار آن تقریباً برابر ۱ است. کدام یک از موارد زیر صحیح است؟

(۱) دما در این دیواره تابعی از زمان و مکان است.

(۲) دما در این دیواره تابعی خطی از زمان است.

(۳) دما در این دیواره تابعی سینوسی از زمان است.

(۴) فرمولاسیون Lumped برای دیواره قابل استفاده می‌باشد.

۱۴۱- ضریب تصحیح  $(\frac{\mu_b}{\mu_w})^{1/4}$  در روابط انتقال حرارت، معرف کدام است؟

(۱) تأثیر ضخامت لایه مرزی

(۲) فقط برای سیالات با لزجت کم کاربرد دارد.

(۳) تأثیر تغییرات دما در توده و دیواره

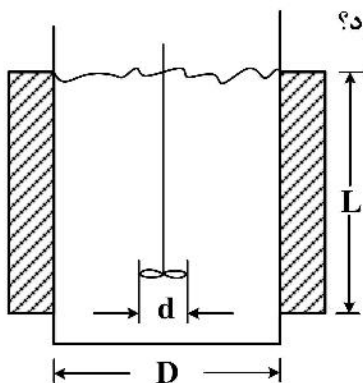
(۴) تأثیر جابه‌جایی طبیعی روی جابه‌جایی اجباری

۱۴۲- نسبت عدد گراشوف (Gr) به مربع عدد رینولدز یعنی  $\frac{Gr}{Re^2}$  معرف چیست؟

- (۱) نسبت انتقال حرارت جابه‌جایی به مربع دانسیته هواست.
- (۲) نسبت انتقال حرارت جابه‌جایی به ویسکوزیته سیال است.
- (۳) نسبت انتقال حرارت به صورت جابه‌جایی به مربع اختلاف دانسیته است.
- (۴) نسبت انتقال حرارت به صورت جابه‌جایی آزاد به جابه‌جایی اجباری است.

۱۴۳- در یک مخزن همزده به قطر  $D$  همزنی به قطر  $d$  و مایعی به ارتفاع  $L$  به کمک یک ژاکت حرارتی گرم می‌شود.

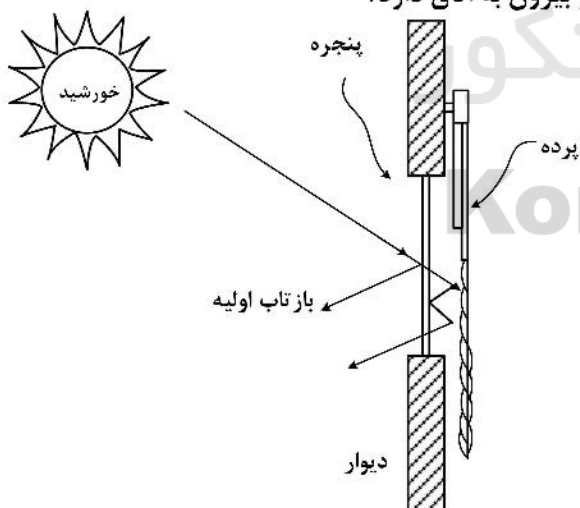
اعداد بدون بعد  $Re$  و  $Nu$  برای مایع بر مبنای کدام بعد هندسی محاسبه می‌شود؟



- (۱) برای هر دو از قطر مخزن استفاده می‌شود.
  - (۲) برای رینولدز از قطر همزن و برای ناسلت از قطر تانک
  - (۳) برای هر دو از قطر همزن استفاده می‌شود.
  - (۴) بستگی به نوع رابطه پیشنهادی برای انواع همزن دارد و ممکن است از قطر همزن، یا تانک استفاده شود.
- ۱۴۴- در میعان بخار اشباع بر روی یک صفحه قائم کدام گزینه موجب افزایش مقدار مایع حاصل از چگالش می‌شود؟

- (۱) زبر کردن سطح برای افزایش سطح و تجدید سطح فیلم
- (۲) صیقلی کردن سطح به نحوی که فیلم روی صفحه تشکیل نشود.
- (۳) ایجاد موج قائم به نحوی که در گودی فیلم مایع لایه‌ای باقی بماند.
- (۴) ایجاد موج افقی روی صفحه قائم به نحوی که در هر برآمدگی فیلم از صفحه پرتاب شود.

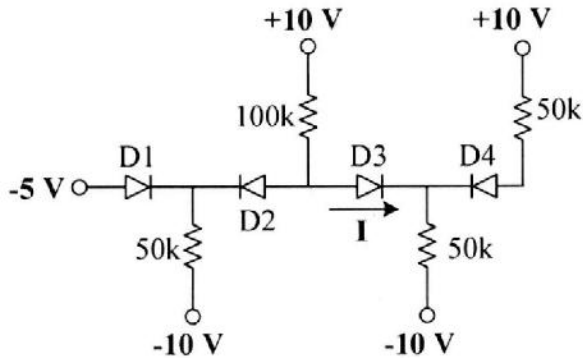
۱۴۵- نصب پرده چه تأثیری بر انتقال حرارت از اتاق به بیرون یا از بیرون به اتاق دارد؟



- (۱) فقط در زمستان مانع سوز سرما می‌شود.
- (۲) پرده بیشتر نقش تزئینی دارد و در انتقال حرارت بی‌تأثیر است.
- (۳) فقط در تابستان نقش جلوگیری از تابش مستقیم خورشید به داخل اتاق را دارد.
- (۴) لایه هوای نیمه بسته بین پرده و پنجره باعث کاهش ضریب کلی انتقال حرارت هم در زمستان و هم در تابستان می‌شود.

## الکترونیک (۲) و الکترومغناطیس مهندسی:

۱۴۶- جریان مشخص شده در مدار چند میلی آمپر است؟ (دیودها را ایدئال در نظر بگیرید.)



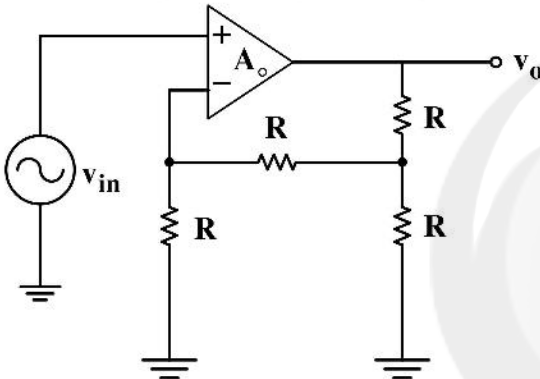
(۱) صفر

(۲) ۰/۰۴

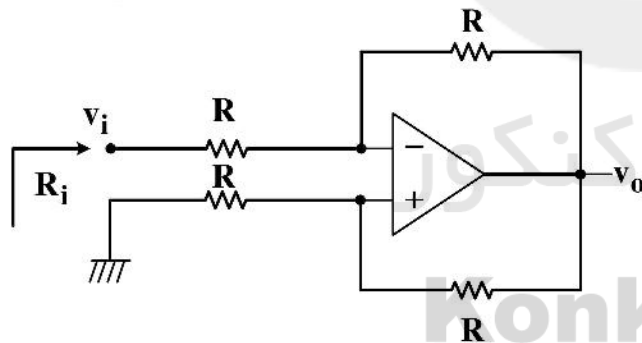
(۳) ۰/۰۸

(۴) ۰/۱۶

۱۴۷- در مدار شکل زیر بهره تقویت کننده،  $A_o = \infty$  است. بهره حلقه بسته مدار به کدام گزینه نزدیک تر است؟

(۱)  $\frac{1}{5}$ (۲)  $\frac{4}{5}$ (۳)  $\frac{5}{4}$ (۴)  $\frac{5}{5}$ 

۱۴۸- در مدار شکل زیر با فرض اینکه OP-AMP به کار رفته دارای بهره حلقه باز  $10^6$  و مقاومت ورودی بی نهایت است،

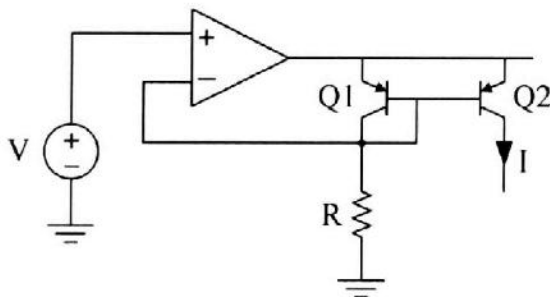
امپدانس ورودی ( $R_i$ ) کدام است؟(۱)  $\frac{R}{3}$ (۲)  $\frac{R}{2}$ 

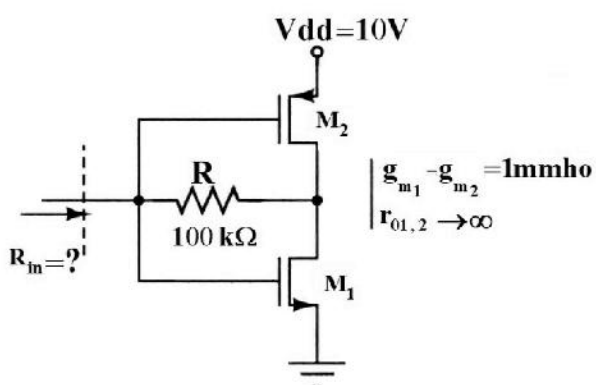
(۳) R

(۴)  $2R$ 

۱۴۹- در مدار شکل زیر با فرض ایدئال بودن آپ امپ، بیشینه ولتاژ کلکتور ترانزیستور Q2 و مقدار جریان I به ترتیب

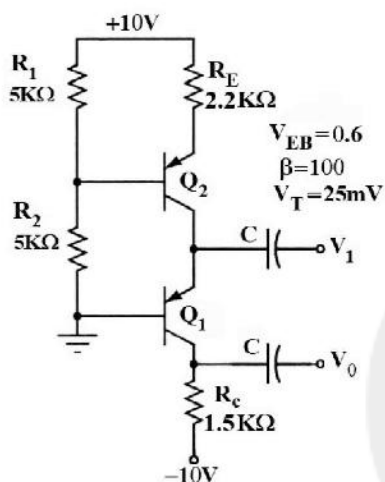
کدام است؟

(۱)  $V/R$  و  $V - V_{EC(sat)}$ (۲)  $(V - V_{EB})/R$  و  $V + V_{EB} - V_{EC(sat)}$ (۳)  $V/R$  و  $V + V_{EB} - V_{EC(sat)}$ (۴)  $(V - V_{EB})/R$  و  $V - V_{EC(sat)}$



۱۵۰- مقاومت ورودی  $R_{in}$  در مدار داده شده چقدر است؟

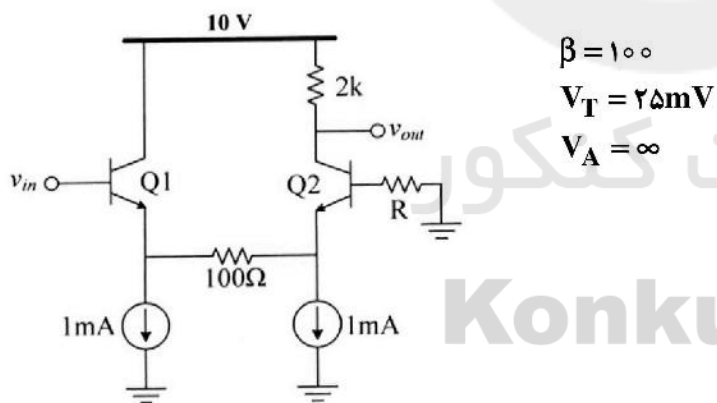
- (۱) بی نهایت
- (۲)  $100\text{ k}\Omega$
- (۳)  $1\text{ k}\Omega$
- (۴)  $500\Omega$



۱۵۱- بهره ولتاژ  $A_v = \frac{V_o}{V_i}$  در مدار تقویت کننده زیر، چقدر است؟

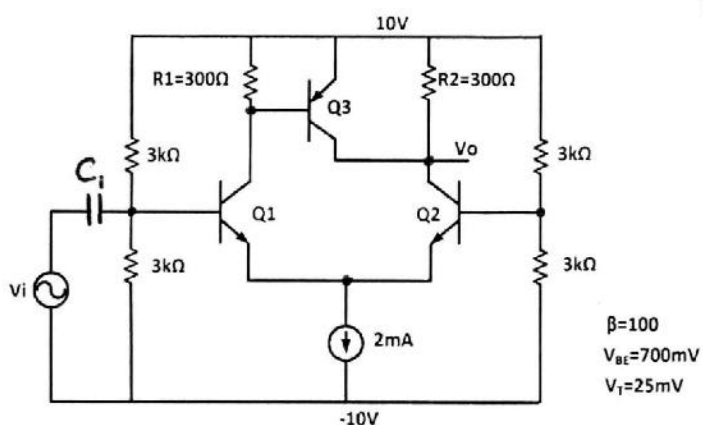
- (۱)  $+500$
- (۲)  $+120$
- (۳)  $+50$
- (۴)  $+1$

۱۵۲- در مدار شکل زیر با فرض یکسان بودن جریان بایاس ترانزیستورها و  $R = 5\text{ k}\Omega$ ، بهره ولتاژ  $A_v = v_{out}/v_{in}$  کدام است؟



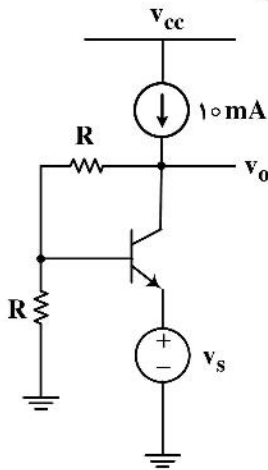
- (۱) ۷
- (۲) ۱۰
- (۳) ۱۳
- (۴) ۱۸

۱۵۳- در مدار زیر، بهره ولتاژ  $(V_o/V_i)$  کدام است؟



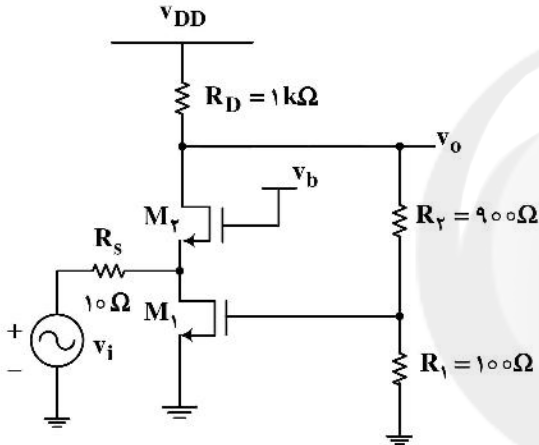
- (۱) ۶
- (۲) ۱۲
- (۳) -۶
- (۴) -۱۲

۱۵۴- در مدار شکل زیر اگر  $R = r_{\pi}$  باشد، بهره تقویت کننده  $(\frac{v_o}{v_s})$  به کدام گزینه نزدیک تر است؟



- ۱ (۱)  
۲ (۲)  
۳ (۳)  
۴ (۴)

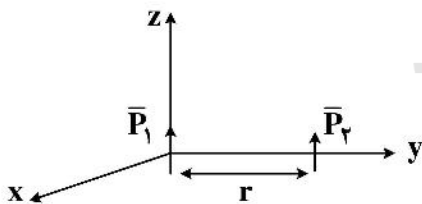
۱۵۵- در مدار شکل مقابل نسبت  $(\frac{v_o}{v_i})$  به کدام گزینه نزدیک تر است؟



$$(g_{m1} = g_{m2} = 400 \text{ mS})$$

- ۲/۵ (۱)  
-۲/۵ (۲)  
۱۰ (۳)  
-۱۰ (۴)

۱۵۶- یک دیپل با ممان الکتریکی  $\vec{P}_1 = P_1 \vec{a}_z$  در مبدأ مختصات و دیپل الکتریکی دیگر با ممان  $\vec{P}_2 = P_2 \vec{a}_z$  روی محور تحت فاصله  $r$  از مبدأ مختصات قرار گرفته است. کدام گزینه، نیروی بین دو دیپل و جاذبه و دافعه بودن آن را بیان می کند؟



سایت کنکور  
Konkur.in

$$F_r = \frac{3P_1P_2}{4\pi\epsilon_0 r^4} \text{ دافعه (۱)}$$

$$F_r = \frac{-3P_1P_2}{4\pi\epsilon_0 r^4} \text{ جاذبه (۲)}$$

$$F_r = \frac{3P_1P_2}{2\pi\epsilon_0 r^4} \text{ دافعه (۳)}$$

$$F_r = \frac{-3P_1P_2}{2\pi\epsilon_0 r^4} \text{ جاذبه (۴)}$$

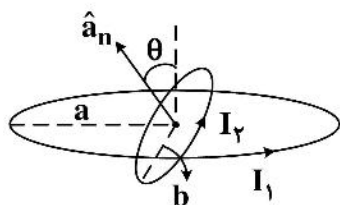
۱۵۷- یک پوسته استوانه‌ای به شعاع داخلی  $a = 0.1 \text{ m}$  و شعاع خارجی  $b = 0.2 \text{ m}$  و ارتفاع  $h = 0.5 \text{ m}$  مفروض

است. ماده تشکیل دهنده پوسته دارای ضریب هدایت الکتریکی  $\sigma = \frac{2r(1 + \sin \phi)}{\pi} \text{ (S/m)}$  می باشد. مقاومت

بین دو سطح  $r = a$  و  $r = b$  چند اهم  $(\Omega)$  است؟

- ۲ (۲) ۱/۵ (۱)  
۳/۵ (۴) ۲/۵ (۳)

۱۵۸- در شکل روبه‌رو گشتاور وارد بر حلقه کوچک کدام مورد است؟ ( $b \ll a$ )



$$\mu_0 \frac{I_1 I_2 \pi a^2}{2b} \cos \theta \hat{a}_x \quad (۱)$$

$$\mu_0 \frac{I_1 I_2 \pi a^2}{2b} \sin \theta \hat{a}_x \quad (۲)$$

$$\mu_0 \frac{I_1 I_2 \pi b^2}{2a} \cos \theta \hat{a}_x \quad (۳)$$

$$\mu_0 \frac{I_1 I_2 \pi b^2}{2a} \sin \theta \hat{a}_x \quad (۴)$$

۱۵۹- پوسته استوانه‌ای فلزی نازک به طول  $L$  و شعاع  $a$  ( $L \gg a$ ) با محور آن در امتداد محور  $z$  ها، بار الکتریکی به

چگالی  $\rho_s \frac{C}{m^2}$  را روی پوسته خود دارد. پوسته با سرعت زاویه‌ای  $\omega = kt$  حول محورش می‌چرخد.  $k$  عددی

ثابت است. با صرف نظر کردن از اثر لبه‌های استوانه، کل انرژی میدان مغناطیسی داخل استوانه کدام است؟

$$(\nabla \times \vec{B} = \mu_0 \vec{J})$$

$$W_B = \frac{\pi \mu_0 \rho_s^2 a^4 k L t^2}{2} \quad (۲)$$

$$W_B = \frac{\pi \mu_0 \rho_s^2 a^4 k^2 L t^2}{2} \quad (۱)$$

$$W_B = 2\pi \mu_0 \rho_s^2 a^4 k L t^2 \quad (۴)$$

$$W_B = 2\pi \mu_0 \rho_s^2 a^4 k^2 L t^2 \quad (۳)$$

۱۶۰- خازن مسطحی به ظرفیت  $C$  با دی‌الکتریک هوا از طریق مقاومت  $R$  به یک منبع به فرکانس  $f$  به‌طور سری وصل

شده است. افت ولتاژ در دو سر مقاومت  $R$  برابر  $V_R$  است. اکنون نصف خازن را با دی‌الکتریک  $E$  پر می‌کنیم (دو

خازن موازی)، و پتانسیل دو سر مقاومت  $R$  به  $2V_R$  می‌رسد. با صرف نظر کردن از لبه‌های خازن، ثابت

دی‌الکتریک برحسب  $R$ ،  $C$  و  $\omega$  کدام است؟ ( $\omega = 2\pi f$ )

$$\epsilon = \left[ \frac{4}{\sqrt{1 - 3R^2 \omega^2 c^2}} - 1 \right] \epsilon_0 \quad (۲) \quad \epsilon = \left[ \frac{4}{\sqrt{1 - 4R^2 \omega^2 c^2}} + 1 \right] \epsilon_0 \quad (۱)$$

$$\epsilon = \left[ \frac{4}{\sqrt{1 - 3R^2 \omega^2 c^2}} + 1 \right] \epsilon_0 \quad (۴) \quad \epsilon = \left[ \frac{4}{\sqrt{1 - 4R^2 \omega^2 c^2}} - 1 \right] \epsilon_0 \quad (۳)$$

۱۶۱- بین دو هادی کواکسیال به طول  $L$  و شعاع داخلی  $a$  و شعاع بیرونی  $b$ ، یک ماده با رسانایی  $\sigma$  قرار گرفته است.

اگر اختلاف ولتاژ بین دو هادی برابر  $V$  باشد، مقدار مقاومت ( $R$ ) بین هادی‌ها کدام است؟

$$\frac{1}{2\pi\sigma L} \quad (۱)$$

$$\frac{1}{2\pi\sigma r} \quad (۲)$$

$$\frac{\ln\left(\frac{b}{a}\right)}{2\pi\sigma L} \quad (۳)$$

$$\frac{r \ln\left(\frac{b}{a}\right)}{4\pi\sigma L} \quad (۴)$$

۱۶۲- بر روی سطح  $r = a$  (دستگاه استوانه‌ای) جریان ثابت  $I_0$  در جهت  $z$  و بر روی سطح  $r = b$  ( $b > a$ ) جریان  $I_0$  در جهت  $-z$  قرار دارد. در این حالت، بردار مغناطیس‌شدگی در ناحیه فضایی  $-\infty < z < \infty$ ,  $0 < \varphi < 2\pi$ ,  $a < r < b$  به صورت  $\vec{M} = kI_0 r \hat{a}_\varphi$  (ثابت  $k$ ) به دست می‌آید. انرژی مغناطیسی ذخیره‌شده برای واحد طول در راستای  $z$  کدام است؟

$$\frac{\mu_0 I_0^2}{2\pi} \ln \frac{b}{a} \quad (2) \qquad \frac{\mu_0 I_0^2}{4\pi} \left[ \ln \left( \frac{b}{a} \right) + k\pi(b^2 - a^2) \right] \quad (1)$$

$$\frac{\mu_0 I_0^2}{4\pi} \ln \frac{b}{a} \quad (4) \qquad \frac{\mu_0 I_0^2}{2\pi} \left[ \ln \left( \frac{b}{a} \right) + k\pi(b^2 + a^2) \right] \quad (3)$$

۱۶۳- در یک فضای لایتناهی از عایقی با ضریب دی‌الکتریک نسبی  $\epsilon_r = 4$  حفره‌ای کره‌ای به شعاع  $2a$  ایجاد کرده و یک کره رسانا به شعاع  $a$  به‌طور هم‌مرکز با این حفره قرار می‌دهیم. در این صورت ظرفیت این کره رسانا چند برابر می‌شود؟

$$2 \quad (2) \qquad 2,4 \quad (1)$$

$$1,6 \quad (4) \qquad 1,8 \quad (3)$$

۱۶۴- یک کره به شعاع  $a$  دارای بار حجمی غیریکنواخت به چگالی  $\rho_v = \frac{\rho_0 r}{\pi^2 \sin \theta}$  است. این کره با سرعت  $v$  دور در ثانیه حول یکی از اقطارش می‌چرخد. میدان مغناطیسی در مرکز کره چقدر است؟

$$\frac{\rho_0 n a^3}{6} \hat{a}_z \quad (2) \qquad \frac{\rho_0 n a^3}{4} \hat{a}_z \quad (1)$$

$$\frac{\rho_0 n a^3}{12} \hat{a}_z \quad (4) \qquad \frac{\rho_0 n a^3}{8} \hat{a}_z \quad (3)$$

۱۶۵- سیمی بلند حامل جریان  $I = 4A$  منطبق بر محور  $z$  می‌باشد. نواری در صفحه  $y = 0$  و در فاصله  $1 < x < 2$

حامل جریان با چگالی سطحی  $\vec{J} = \frac{x^2}{x^2 + 2} \hat{a}_x$  وجود دارد. نیروی وارد بر واحد طول نوار چقدر است؟

$$\frac{\mu_0}{6\pi} \quad (2) \qquad \frac{\mu_0}{4\pi} \quad (1)$$

$$\frac{\mu_0}{2\pi} \ln 2 \hat{a}_z \quad (4) \qquad \frac{\mu_0}{\pi} \ln 2 \hat{a}_z \quad (3)$$